

Open Area Short Range Sensor Complete Installation Guide

Optimized for low ceiling and small footprint spaces

Contents

01 – In the Box

02 – Hardware

03 – Power

04 – Networking

05 – Install Height & Considerations

06 – Mount Plate Installation

07 – Toggle Anchor Mounting

08 – Threaded Rod Anchor Mounting

09 – Junction Box Mounting

10 – Phone Booth Mounting

In the Box

01

Product

- + Density Open Area Short Range sensor
- + QR code for Quick Start Guide
- + Legal information booklet

Ceiling mount kit

- + Mount plate
- + 4pcs #8 x 1.25in flat head screws
- + 4pcs multi-surface anchors

Sensors

Single-chip 60-64GHz mmWave sensor

Environmental specifications

- + Temperature: 32°- 95°F (0°- 35°C)
- + Relative humidity: 20% to 80%
- + non-condensing
- + Rated for indoor installation only

Note: Open Area Short Range sensors can reach temperatures up to 135°F (57°C) after going online. Please keep proper ventilation in mind. If you need to handle the sensor, unplug it and wait a few minutes for it to cool down, or wear gloves so it is more comfortable to handle the device.

Indicators

Multi-color status LED

Unit weight

0.78lbs (0.35kg)

Dimensions & features

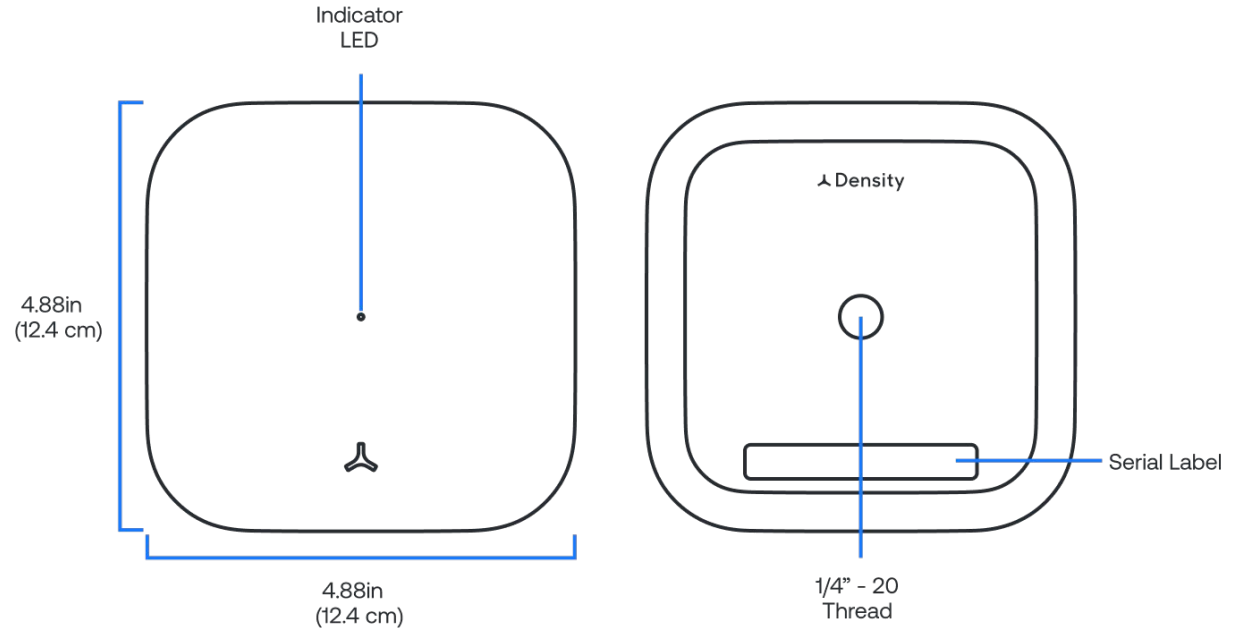
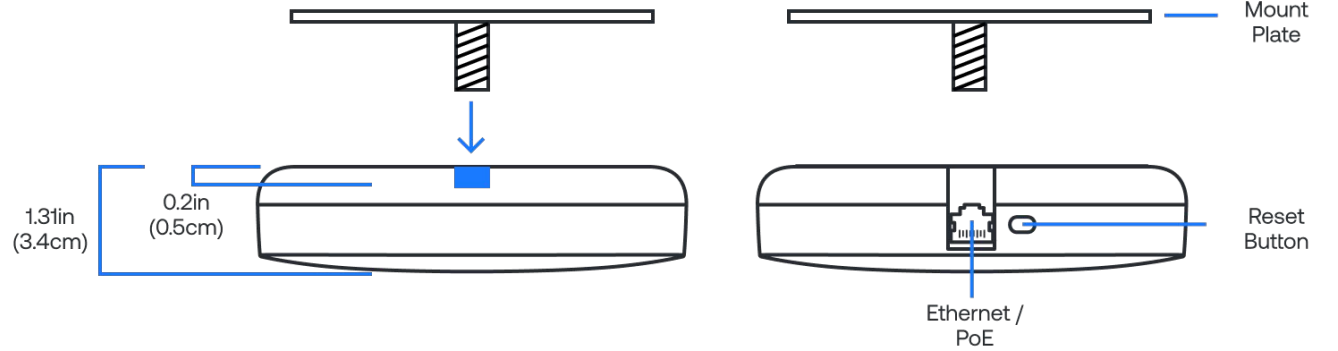
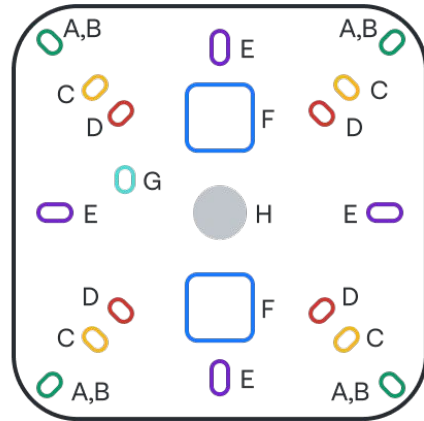
- + White polycarbonate enclosure
- + Painted aluminum base
- + Integrated 1/4"-20 mounting threads
- + Mount plate
- + Thread depth: 0.2in (0.5cm)

Interface

- + 1x 10/100/1000 BaseT RJ45 interface
- + WiFi/Bluetooth dongle
- + Reset button

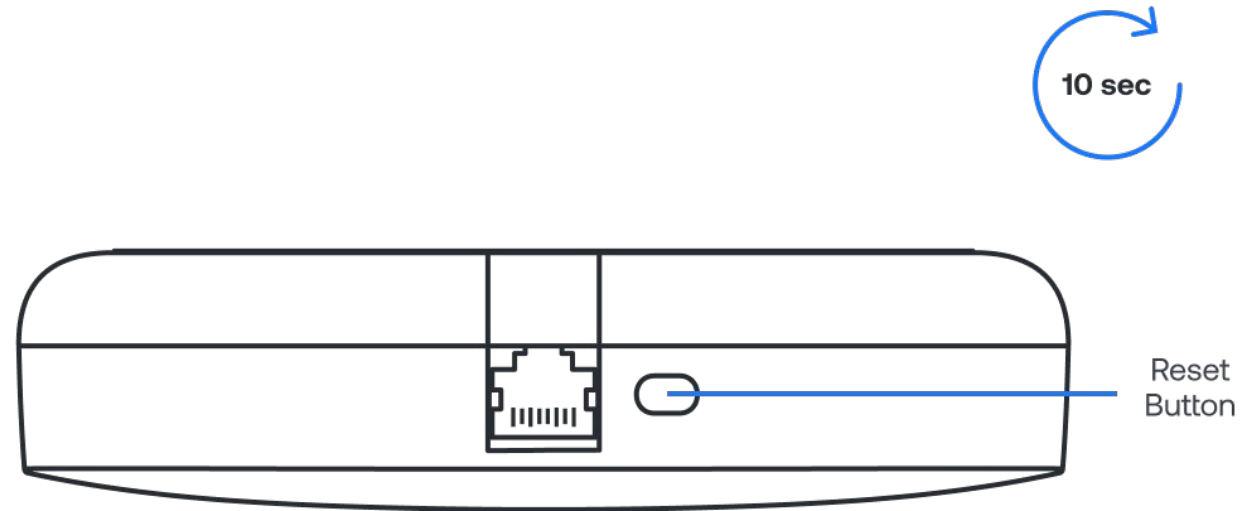
Mounting Plate

- A. Ceiling or Drop Ceiling Tile
- B. 4" Square Junction Box (US)
- C. 4" Round Junction Box (US)
- D. 3.5" Round Junction Box (US)
- E. Single-Gang Outlet Box (US)
- F. Cable Pass Through
- G. Auxiliary Hole
- H. 1/4"-20 Threaded Stud



Resetting the sensor

To reset the sensor to default factory settings, press and hold the reset button until the LED stops blinking (approx 10 seconds). The sensor must be plugged in and connected to power in order to reset.

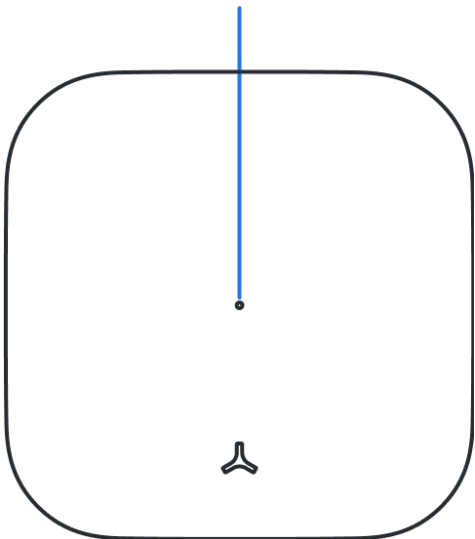


Sensor LED status indicator

The sensor has an indicator LED located on the front of the sensor. The color chart below explains the meaning of each color, defines any issues, and lists what actions to take if necessary.

If the recommended action does not resolve the LED light error status, factory reset the sensor. To reset, press and hold the reset button on the side of the sensor until the LED light starts flashing white. If the issue persists, please reach out to support@density.io

Indicator LED



Color	Pattern	Visual	Meaning	Description/Action
None	No Light		Sensor is not receiving power	Check sensor is plugged in and is receiving power from source
White	Solid		Operating normally	No action needed
White	Flashing		Indicates where sensor is when selecting "Locate" in Unit Setup App	Triggered via Unit Setup App
Blue	Solid		Sensor is ready for provisioning	Typical state out of the box once sufficient power is provided.
Blue	Flashing		Sensor is provisioning	Triggered via Unit Setup App. This process may take 5-10 minutes.
Orange	Flashing		Low power mode	Confirm switch is PoE with at least 16W per port or test ethernet cable.
Purple	Solid		Sensor cannot connect to Density server	Provision sensor via Unit Setup app and if not resolved, run Validation in same app
Purple	Flashing		Server cannot connect to DNS	<i>Verify DNS is available on VLAN. If no internal DNS server, review corporate firewalls to verify device can reach default DNS servers.</i>
Red	Solid		Sensor does not have a Network Configuration	<i>If using WiFi, use the Unit Setup app to create a Network Template. If using ethernet, verify DHCP server is available on VLAN.</i>
Red	Flashing		Bluetooth dongle not present	Occurs when device has not yet been provisioned and the Bluetooth Dongle is absent. Plug in Bluetooth Dongle to provision.

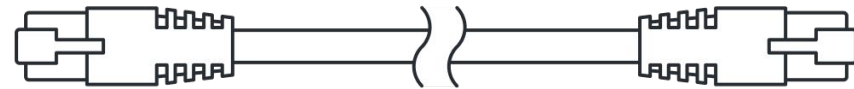
Power requirements

The Open Area Short Range sensor can be powered by either a 802.3af PoE switch or a PoE Injector Wall Plug.



Cable requirements

The sensor requires a Cat 5e or later ethernet cable (not included). Flat style cable is recommended for optimal aesthetics.

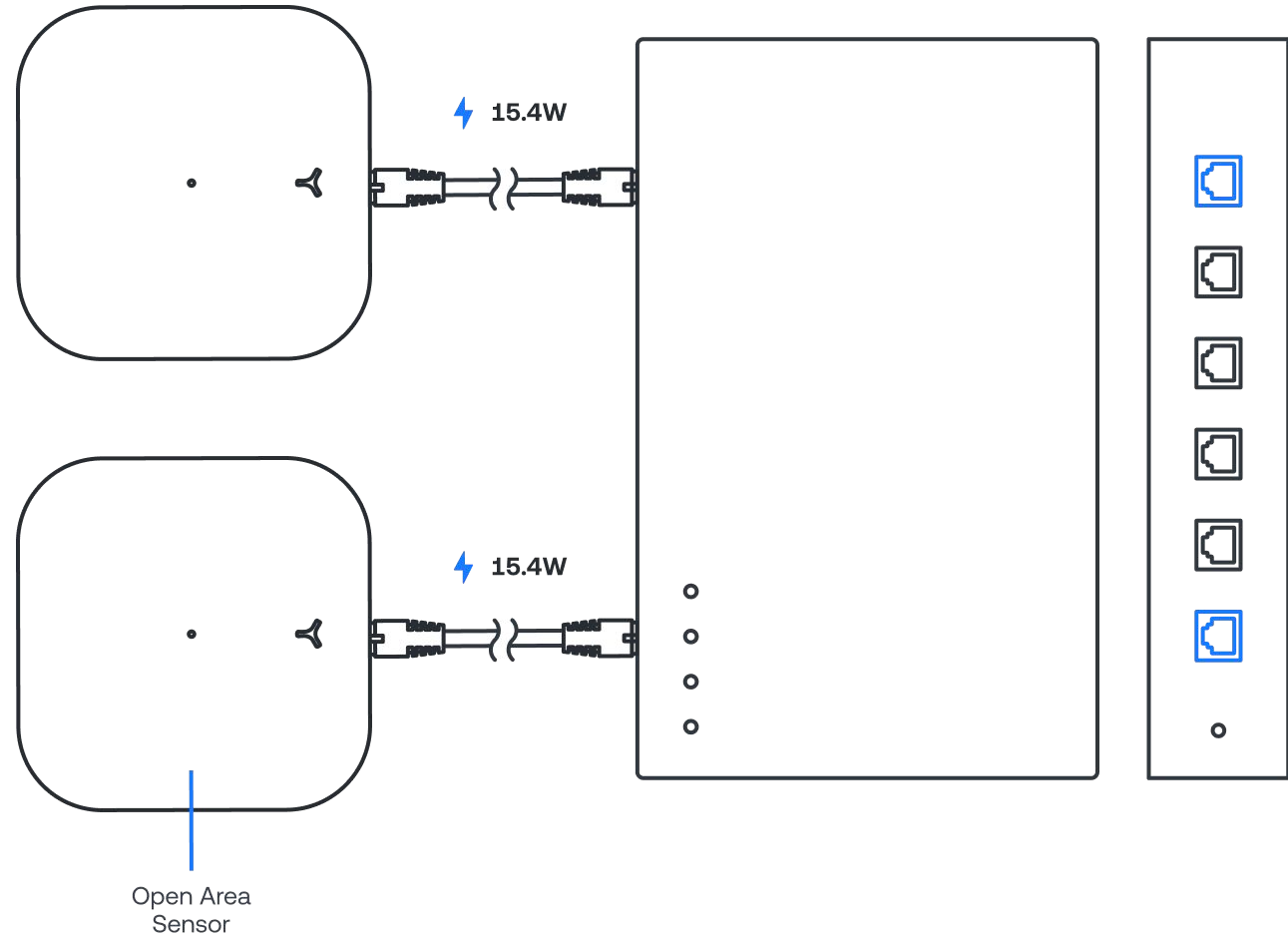


Cat 5e or later

Option 1 – PoE switch

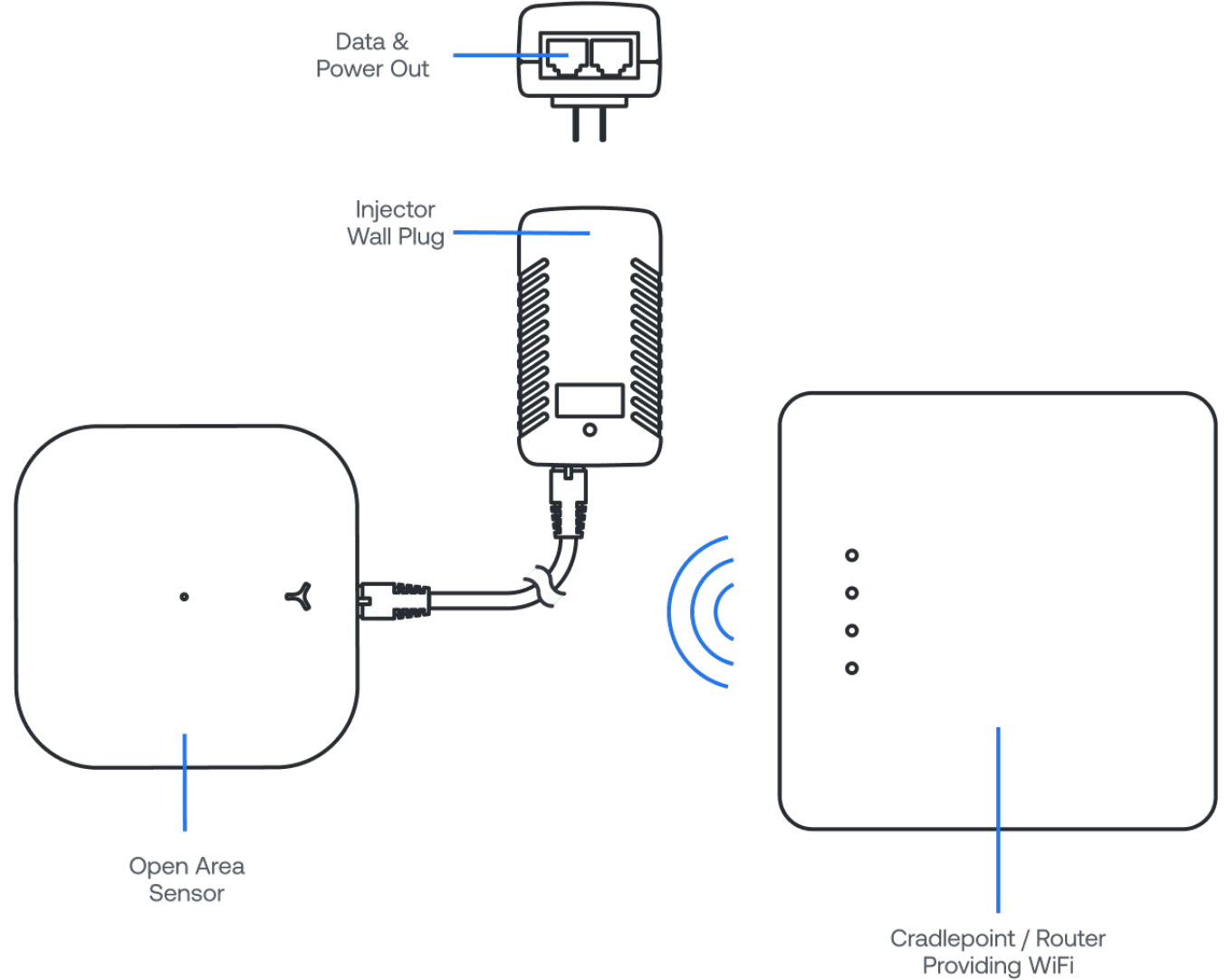
Connect one end of a Cat 5e or later ethernet cable to a 802.3af compliant network switch capable of providing 15.4W per port. Plug the other end of the ethernet cable into the Open Area Short Range sensor.

Density's Open Area device (model: OA1) requires PoE power to operate. You must use a PoE (802.3af) compatible switch or power injector that provides the specified 15.4W per port and be conscious not to exceed the switch load. For example, a 150W PoE switch can only host Open Area Short Range sensors assuming no other loads on that switch.



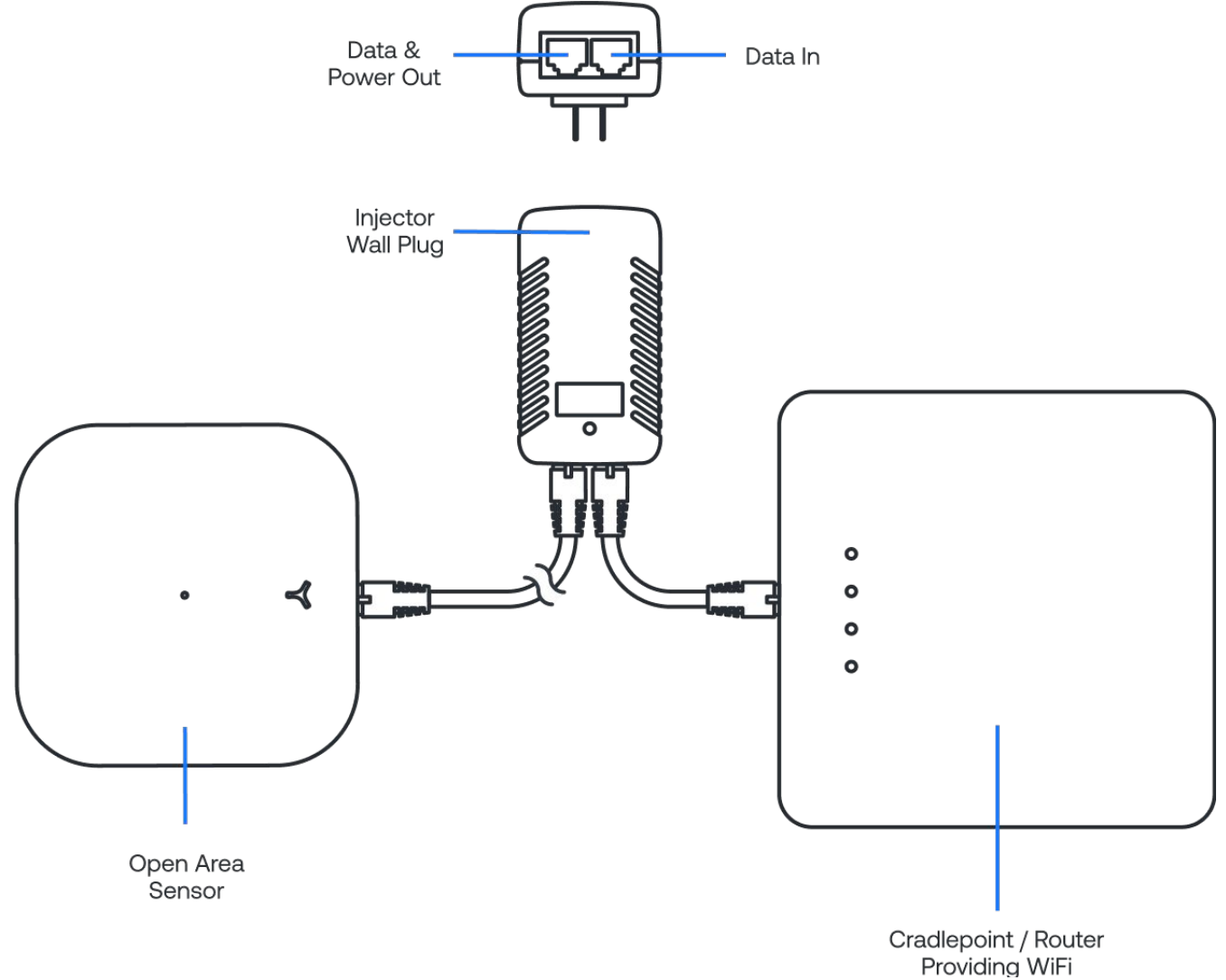
Option 2 – PoE injector using WiFi

Plug the PoE Injector into any standard 120v (US) wall outlet. Plug one end of a Cat 5e or later ethernet cable into the Data & Power Out port located on the bottom of the injector. Plug the other end of the ethernet cable into the sensor. Use the Unit Setup App to connect the sensor to a WiFi network.



Option 3 – PoE injector using ethernet

Plug the PoE Injector into any standard 120v (US) wall outlet. Plug one end of a Cat 5e or later ethernet cable into a cradlepoint / router or non PoE switch. Plug the other end of the cable into the Data In port located on the bottom of the Injector. Plug an additional ethernet cable into the Data & Power Out port also located on the bottom of the injector. Plug the other end of the ethernet cable into the sensor.



Networking basics

Density devices require internet connectivity to pass data to the web application.

Options to connect your Density devices to the internet

- + Option 1 – Wired internet switch
- + Option 2 – WiFi (requires the Density Unit Setup App to locally set up the device)
- + Option 3 – Wired internet via Cradlepoint

Networks that are not supported:

- + Captive portal
- + Proxy
- + WPA2 Enterprise
- + Hidden Networks *
- + 5GHz WiFi networks

* Hidden networks can be used if temporarily made transparent while we configure the devices.

If you have a corporate firewall

You will need to whitelist the device MAC addresses (the MAC addresses can be found on the outside of the packaging box for the device). You may also have to whitelist the following addresses to ensure the device is able to communicate to your corporate network:

*.density.io
*.s3.amazonaws.com
*.pool.ntp.org (required for static IP)
connman.net
connectivitycheck.gstatic.com
8.8.8.8 (if applicable)
8.8.4.4 (if applicable)

Density does not currently support IP address whitelisting. A list of exact API subdomains is available by request.

- + Captive portal
- + ntp port (port 123) must be open
- + If internal DNS is not available then external DNS servers 8.8.8.8 and 8.8.4.4 will be used and port 53 must be open

Unit Setup App

Used to configure units. iOS and Android application available - Go to mobile.density.io to download.

Network configuration options

Both DHCP and Static IP configurations are supported. (Static IP configurations require the Density Unit Setup App to locally set up the device).

DHCP supported configuration

Option 53 – DHCP Message Type

- + Discover

Option 57 – Maximum DHCP Message Size

- + 576

Option 55 – Parameter List

- + Subnet Mask (1)
- + Router (3)
- + Interface MTU (26)
- + Private/Proxy Auto Discovery (252)
- + Network Time Protocol Servers (42)
- + Domain Name (15)
- + Domain Name Server (6)
- + Hostname (12)

Option 60 – Vendor Class Identifier *

- + “Density S5 DPU”

Option 61 – Client Identifier

- + Mac Address

Option 12 – Hostname

- + Density-<Serial>

Static configuration requirements

You will need an IPv4 Address and Name Servers from your IT team to use in the setup process. (Requires the Density Unit Setup App to locally set up the device).

Power & networking

Open Area Short Range sensors require standard power-over-ethernet PoE 802.3af, which can be supplied by an Ethernet switch or a PoE injector. The sensor can be connected via a wired or wireless network. For additional information, please see our [Open Area Power Requirements](#) and our [Network Requirements](#).

Device placement

The total detection area beneath an Open Area Short Range sensor is called the FOV (Field of View). The higher the sensor height, the greater the FOV coverage.

To detect occupancy and people with Open Area, the sensor needs a clear line-of-sight to people passing through the area of interest. Any object obstructing the path between the sensor and a person passing through an area of interest will affect the sensor's ability to accurately detect the presence of that person. Please refer to the Install Height Chart on the following page to determine the minimum sensor height for your entryway.

Sensor access and positioning

The rotation of the device during installation is important for sensor accuracy. The Ethernet and reset button are located on the back of the device. It is imperative to follow the orientation in the deployment plan.

Level mounting

In order to ensure sensor(s) are level to the floor it is imperative to check junction boxes and all parts provided by third party contractors are level and flush with hard ceiling or drop ceiling mounting surfaces. Look for crooked, loose, or sagging junction boxes.

Distance to wall

Open Area Short Range sensors may have data issues if installed too close to the wall. Ideally, Open Area Short Range sensors should be installed at least 6 in from a wall or as far away from a wall as possible.

Device height

To determine the sensor height, measure the ceiling height in the desired install location. The maximum sensor height is 9 ft (2.7432 meters). The minimum sensor height is 6.5 ft (1.9812 meters). Please refer to the table below for coverage characteristics based on sensor height.

Minimum Coverage Area	Maximum Coverage Area
3 x 3 ft	7 x 7 ft

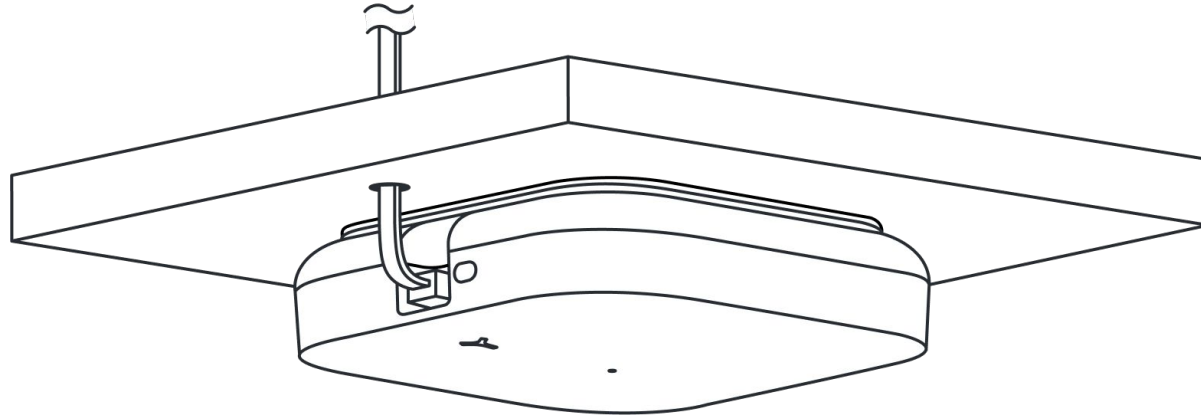
Device interference

Items that are part of the underlying facility can interfere with sensor performance. Items that move slightly, rattle, or create any sort of static noise can create sensor issues. This section is particularly important because these items are difficult for the Deployment Planning team to see on deployment plans. Please look out for items such as:

- + Air vents
- + Air diffusers
- + Plants
- + Items “dangling” from the ceiling
(cords, cables, strings, etc.)
- + Blind handles
- + Ice machines
- + Fans
- + Anything with a motor
- + Elevators

Mount Plate Installation

06



Ceiling mount

- + Mount plate
- + 4pcs #8 x 1.25in flat head screws
- + 4pcs multi-surface anchors

Materials NOT included

- + Mallet
- + Drill
- + 3/4in drill bit
- + 3/16in drill bit
- + 1/8in drill bit
- + Ethernet cable (Cat 5e or later)
- + Level
- + Alternative anchors or fasteners

Power & connectivity

All sensors require power over ethernet and internet connectivity.

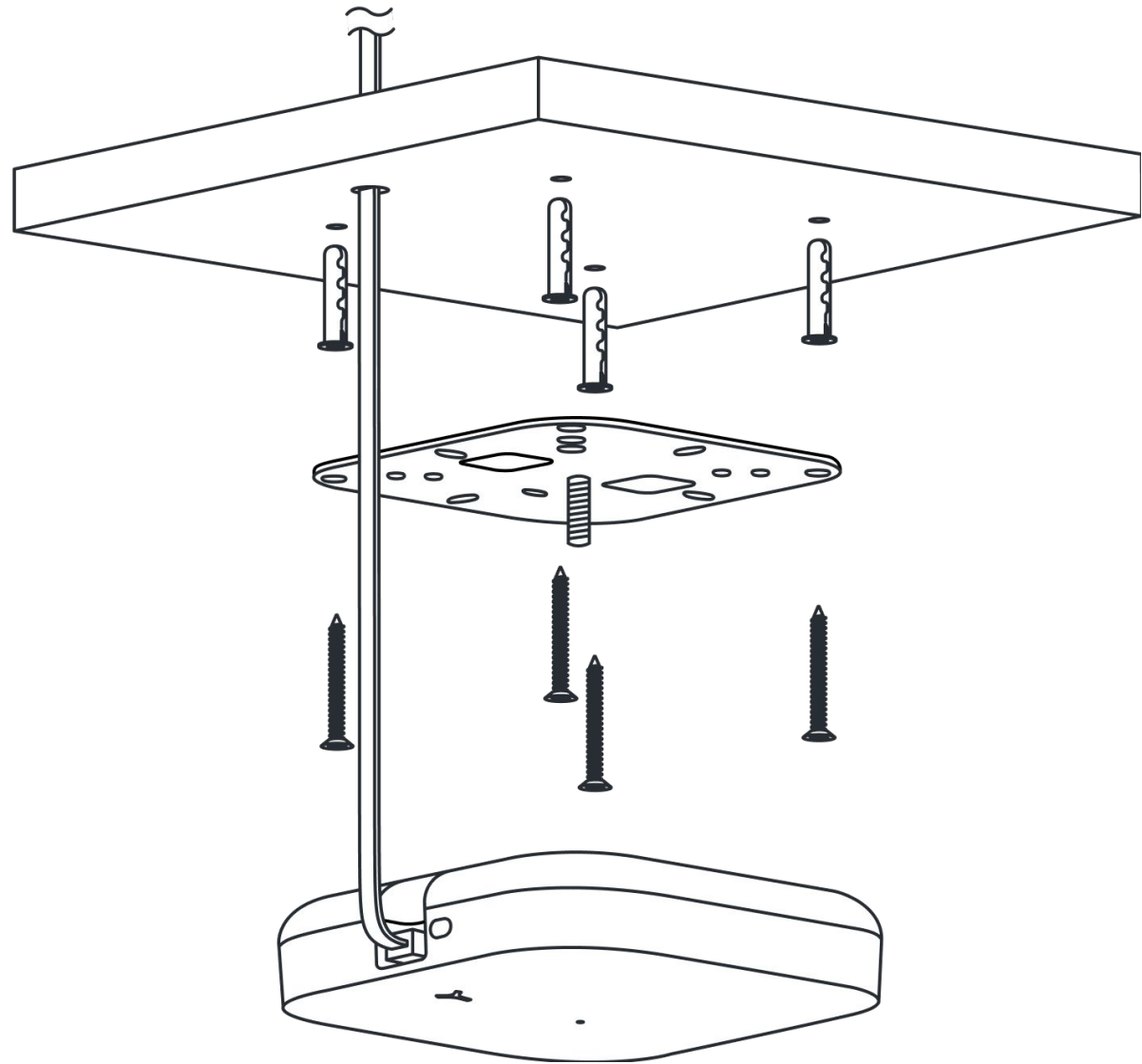
Ceiling mount plate assembly

The ceiling mount plate can be mounted to solid or hollow ceiling surfaces using the provided screws and anchors.

Position mount bracket on the ceiling in the prescribed location, with one of the square slots pointing in the direction the ethernet jack needs to point.

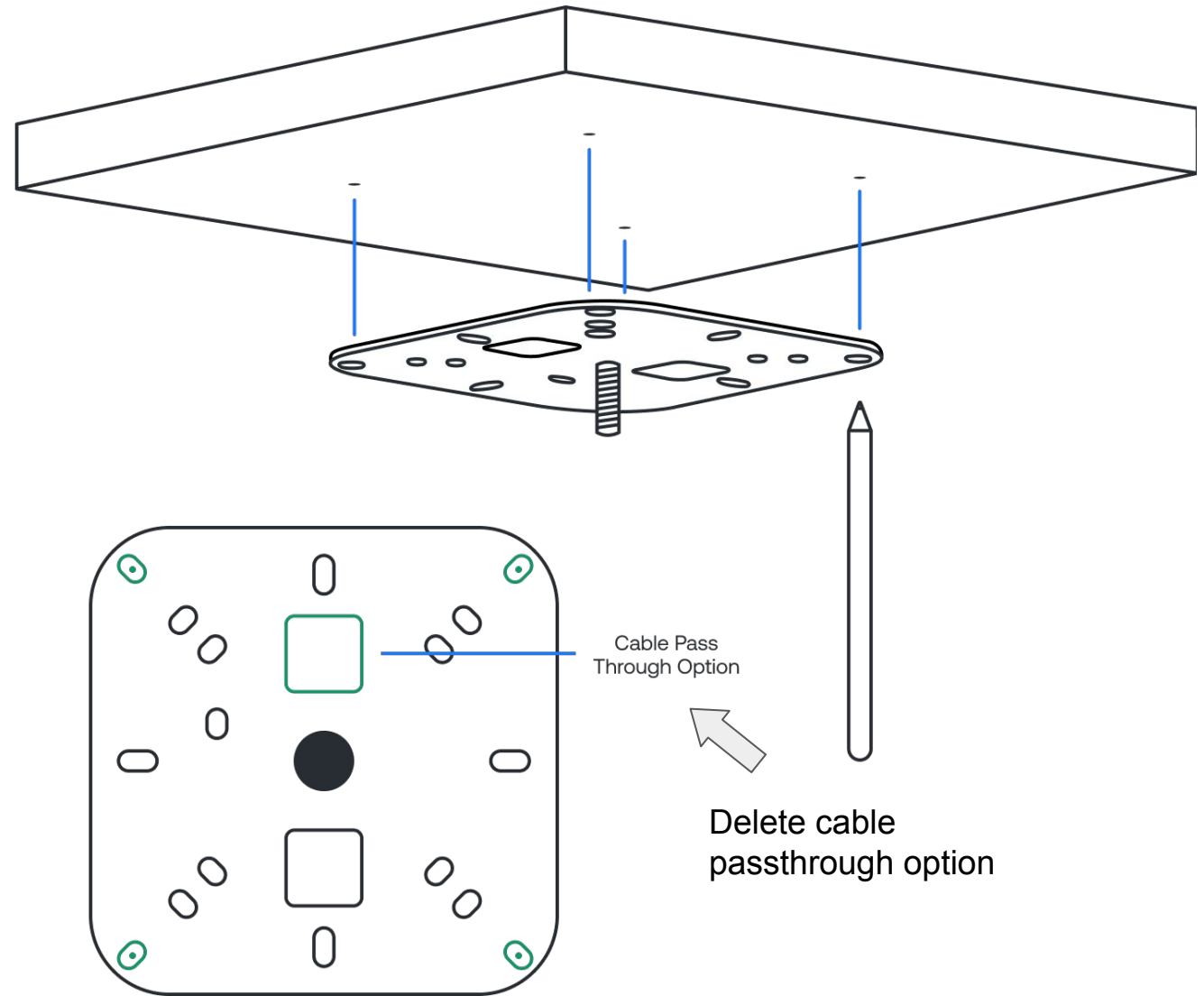
Remove bag from lower insert in the box that contains mount bracket and screws.

Remove items from the bag including mount plate and screws and anchors.



Step 1: Mark placement

Using a pencil or pen, mark the location on the ceiling for anchor screws. We recommend fastening the mount plate with at least two screws. If you will be using the optional cable pass through openings, outline the opening location also.



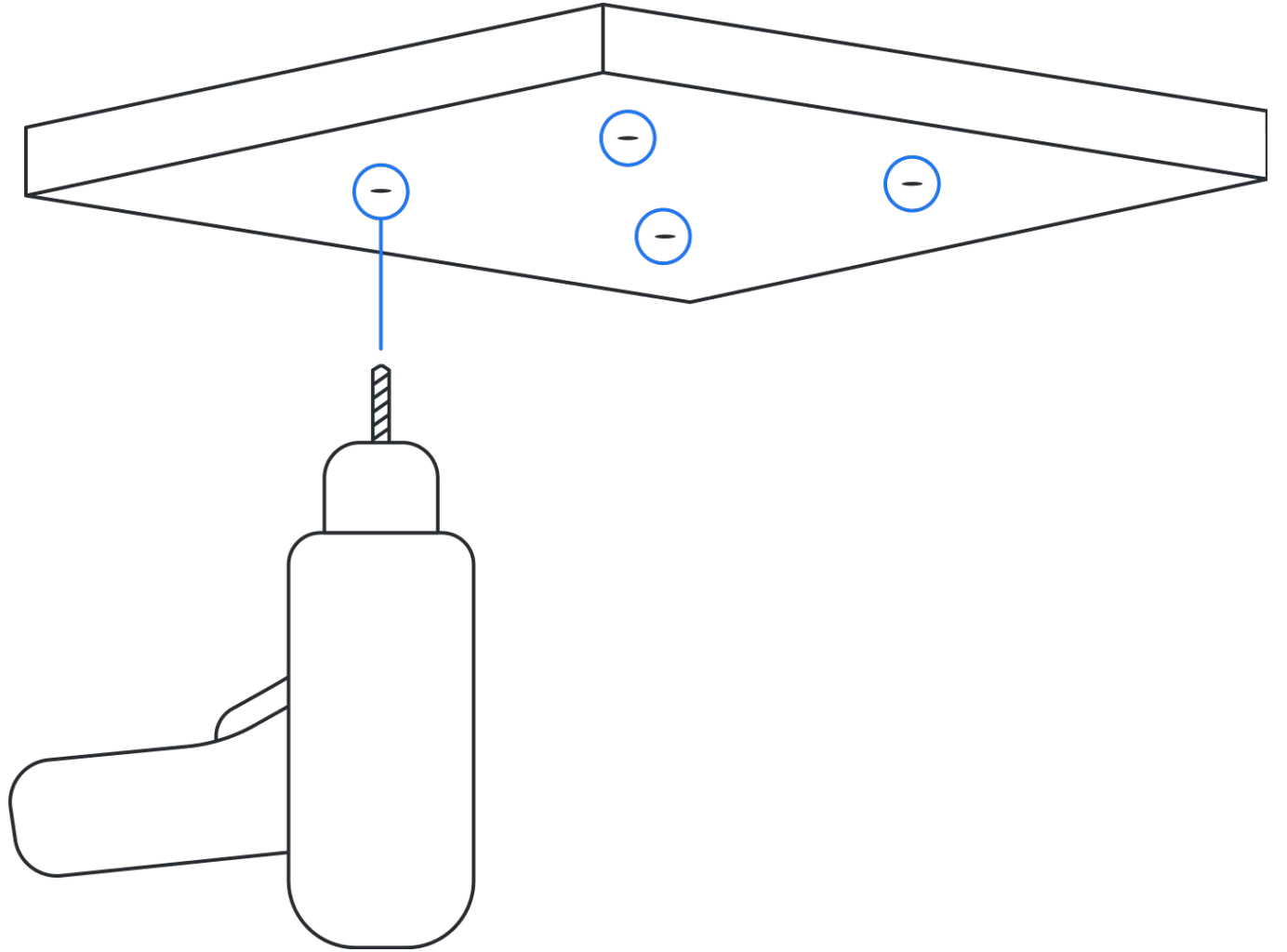
Step 2: Drill holes

Drill a hole through each pencil mark using a 3/16in drill bit. For hollow substrates, drill completely through. For solid wall materials, drill holes with a depth of at least 1 1/4in (3.2cm).

For wood or metal, use a 1/8in drill bit to create a pilot hole.

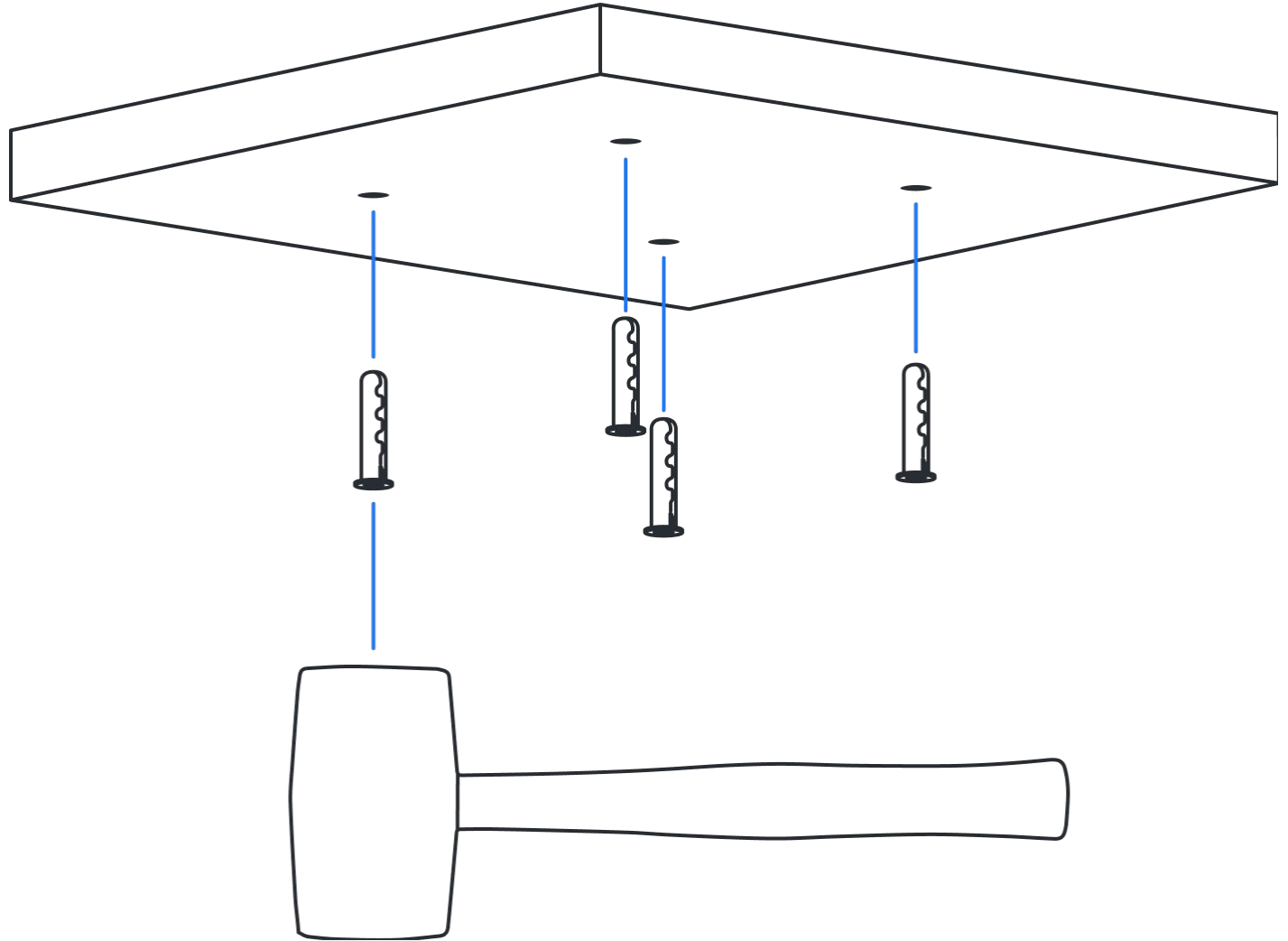
For hollow surfaces, like drywall, use a 3/16in drill bit to drill a hole completely through. For wood or metal surfaces, use a 1/8in drill bit to drill at least 1 1/4in into the surface. Ensure that drilling into the surfaces will not cause damage to anything above the ceiling.

If using the cable pass through slot, use a 3/4in drill bit to create the hole in the ceiling.



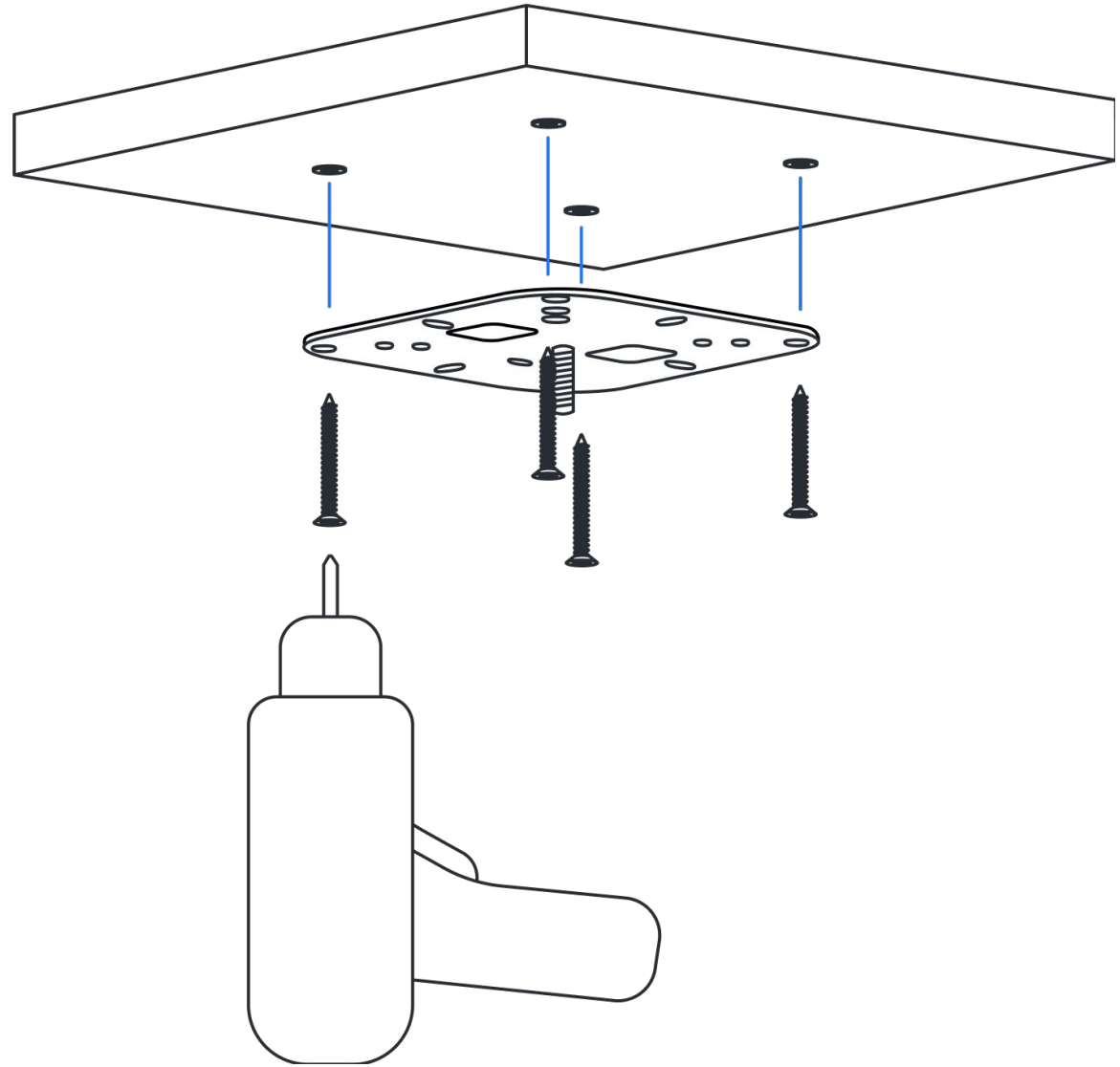
Step 3: Insert anchors

For hollow surfaces only, use a mallet to tap the anchors into each hole. Anchors should be flush with the surface.



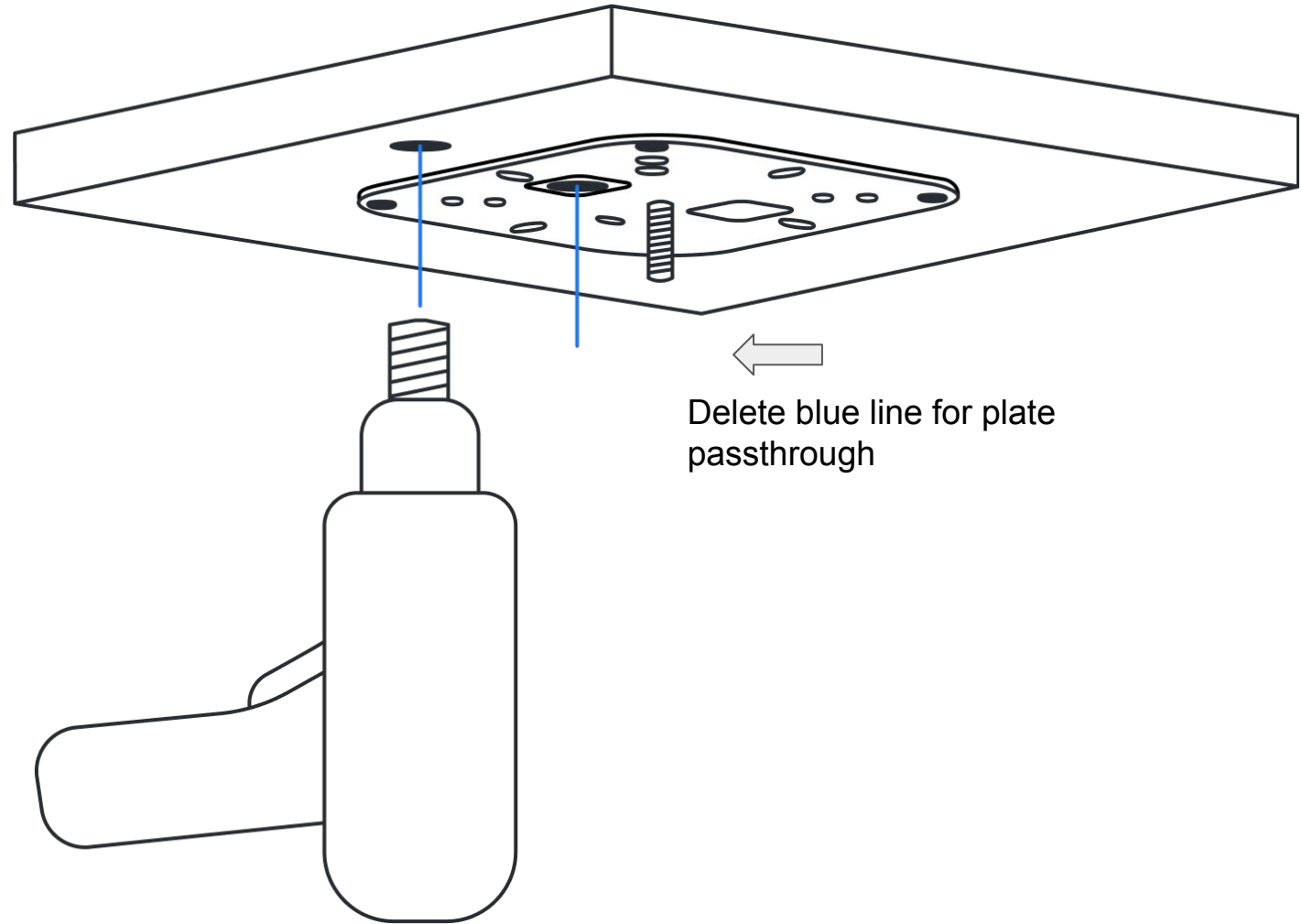
Step 4: Install mount plate

Align the holes in the mount plate with the installed anchors. Use a drill with #2 Phillips Screwdriver bit to drive each screw into the drywall anchors. Screws can also be driven in manually with a standard Phillips head screwdriver.



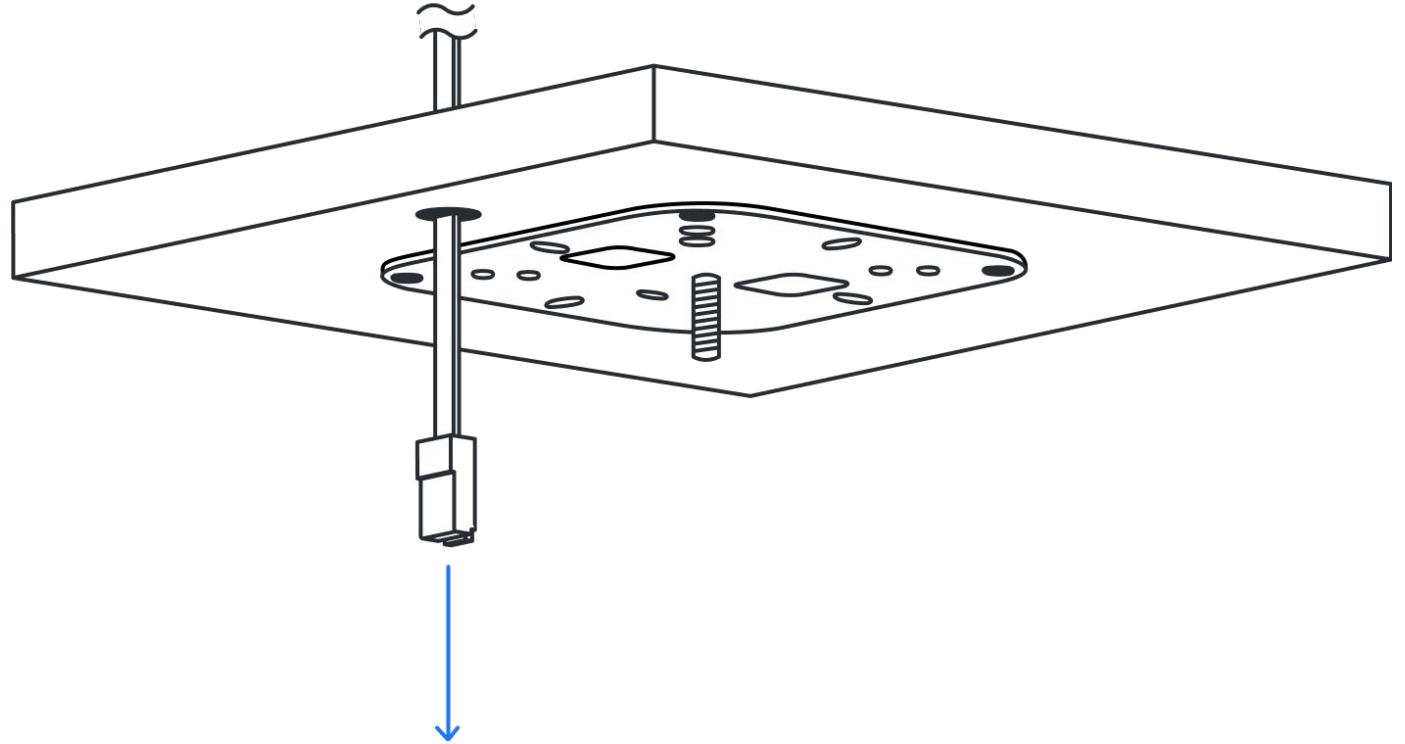
Step 5: Drill cabling hole

Drill a hole using a 3/4in (16mm) drill bit to route the cable through.



Step 6: Route cable

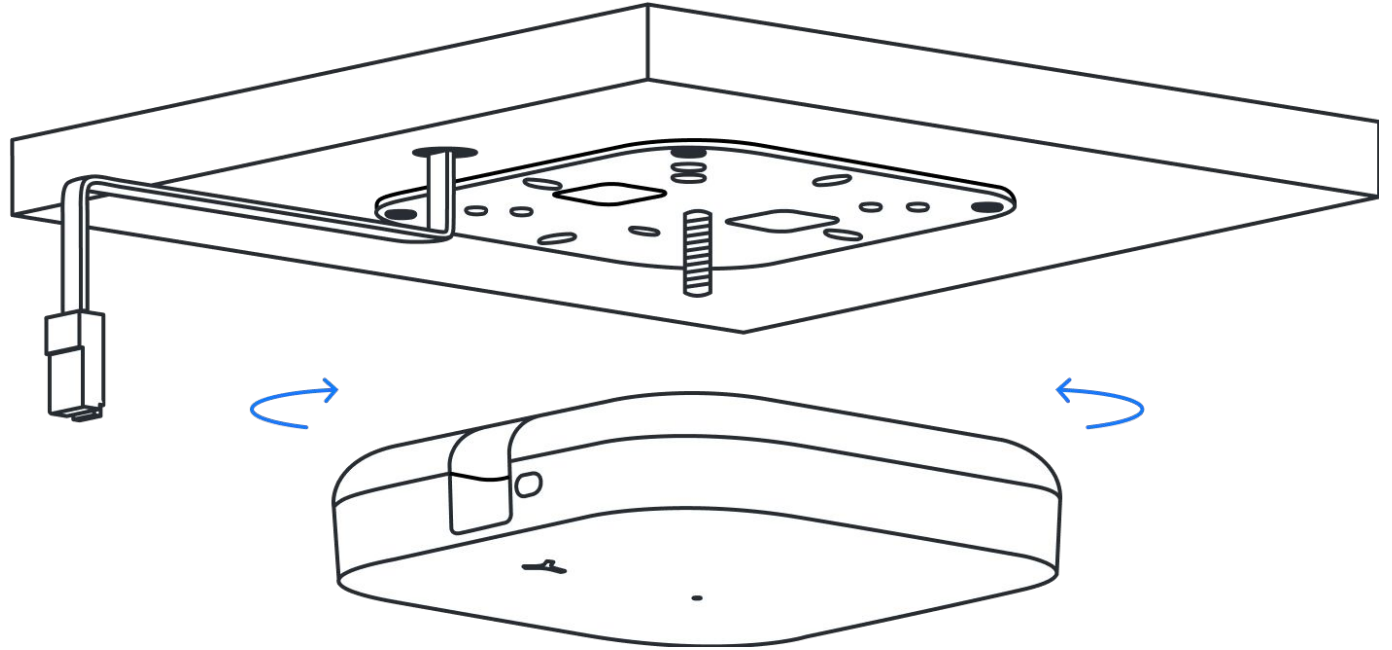
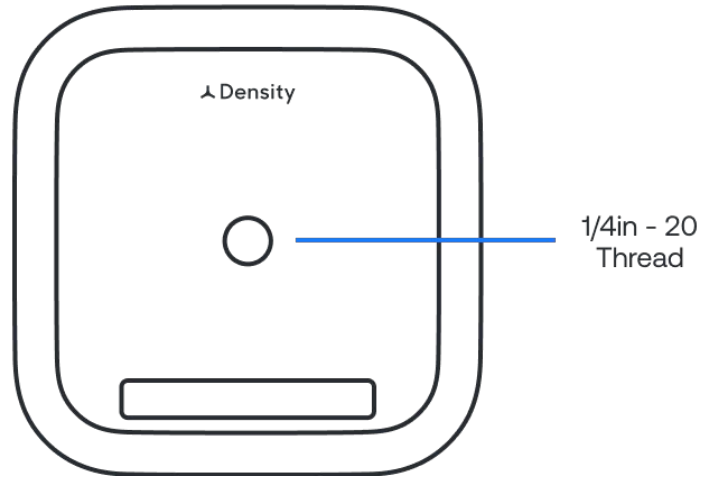
Route the ethernet cable through the drilled hole. Make sure the cable passes through opening in mount plate if you're using the Cable Pass Through.



Step 7: Attach Open Area Short Range sensor

Attach the Open Area unit by threading onto the bracket. Pull the ethernet cable through approximately 6 inches out from the opening in the ceiling.

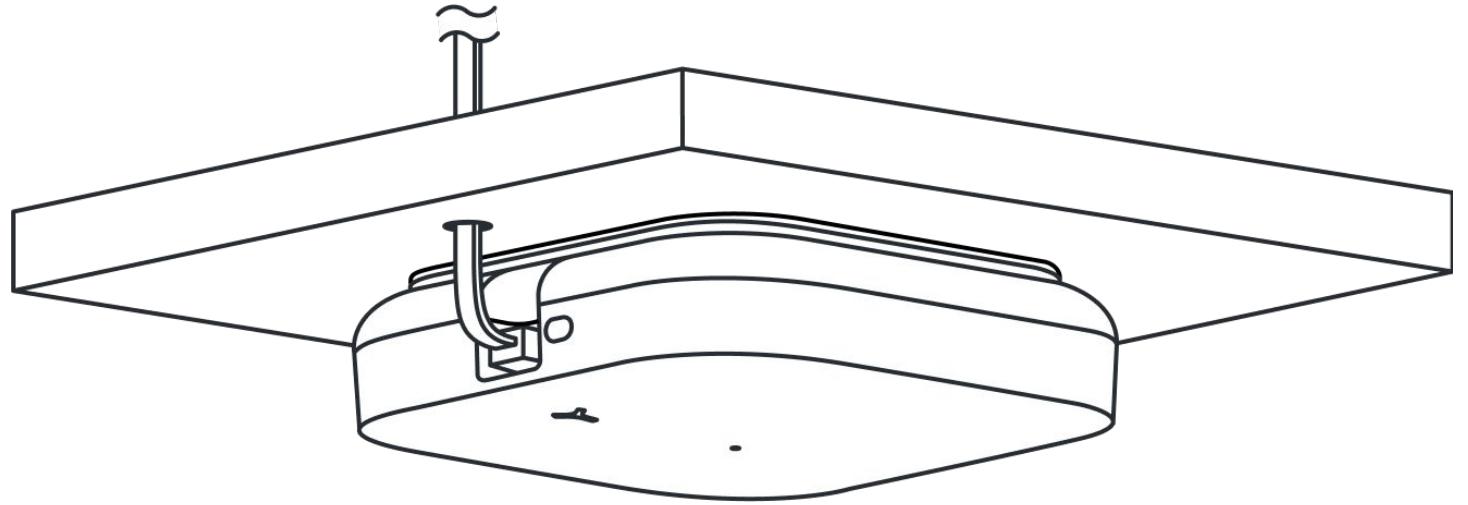
Screw the unit on all the way until it stops, then back it off to the prescribed location using the ethernet jack as the location guide.



Step 8: Plug in cable

Plug the ethernet cable into the Open Area Short Range sensor.

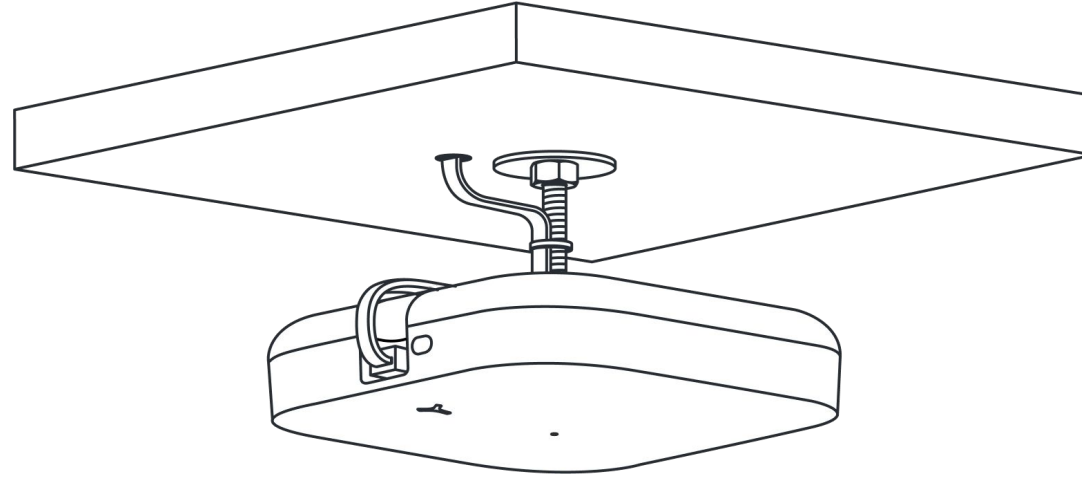
Ensure the Open Area unit is level and parallel to the floor.



Toggle Anchor Mounting

For hollow ceiling types

07



Toggle anchor mounting

Materials NOT included

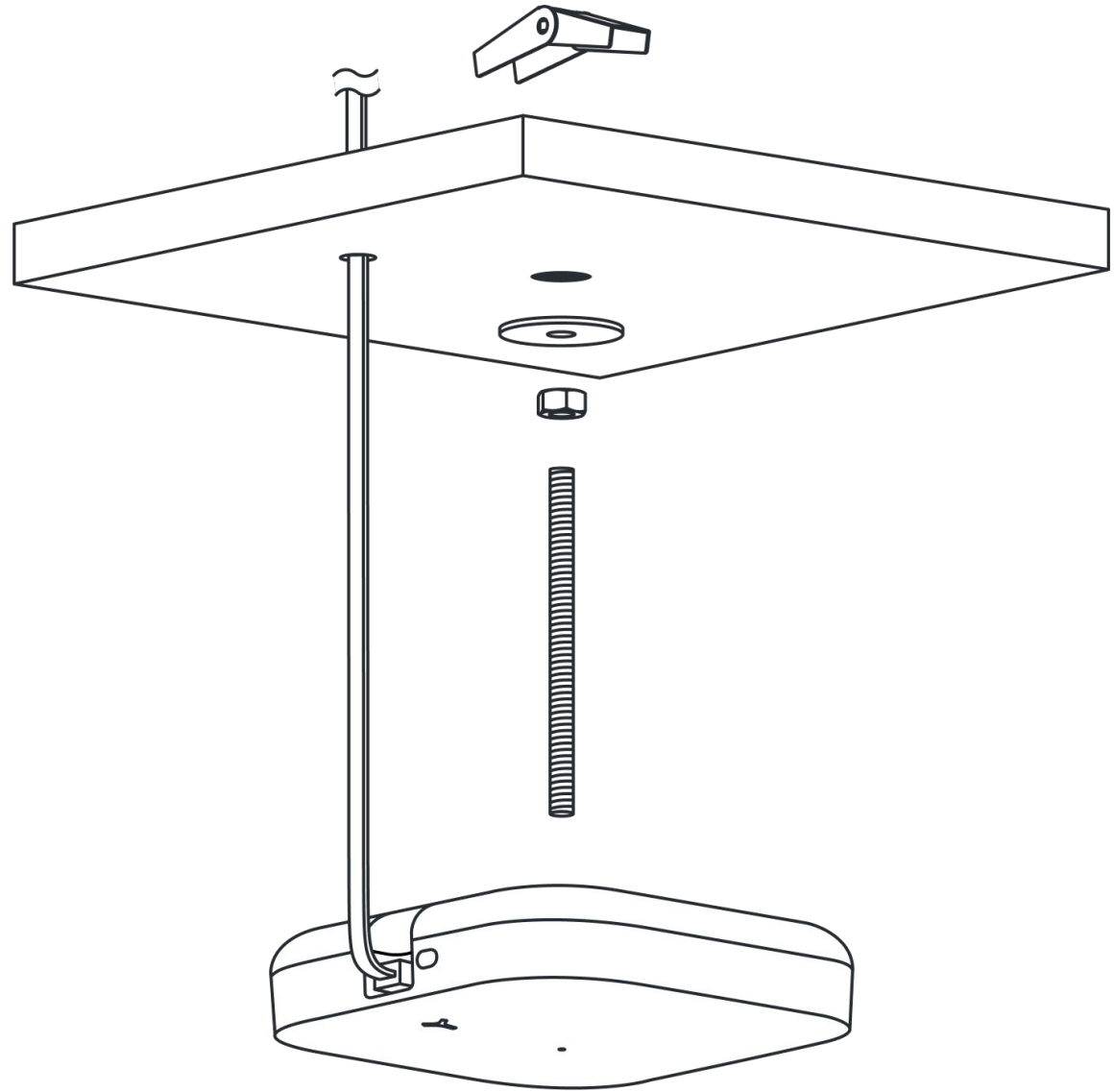
- + Drill
- + 5/8in drill bit
- + 1/4in-20 threaded rod
- + 1/4in-20 toggle anchor
- + Steel washer
- + Hex nut
- + Wrench or pliers
- + PVC pipe (optional for cable management)
- + Ethernet cable (Cat 5e or later)

Power & connectivity

All sensors require power over ethernet and internet connectivity.

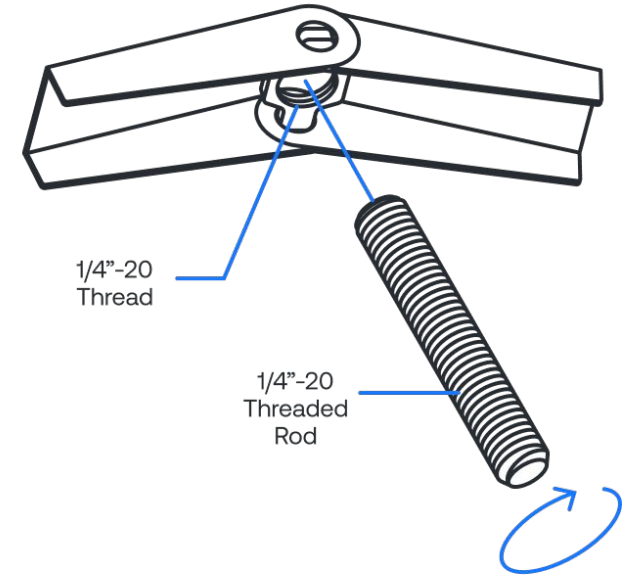
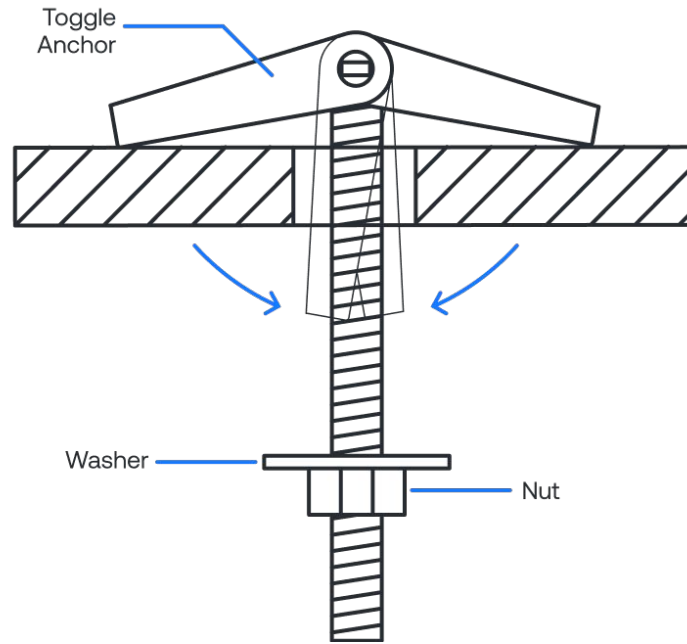
Toggle anchor assembly

The toggle anchor allows the Open Area Short Range sensor to be mounted to hollow ceiling and suspended by a 1/4in-20 threaded rod.



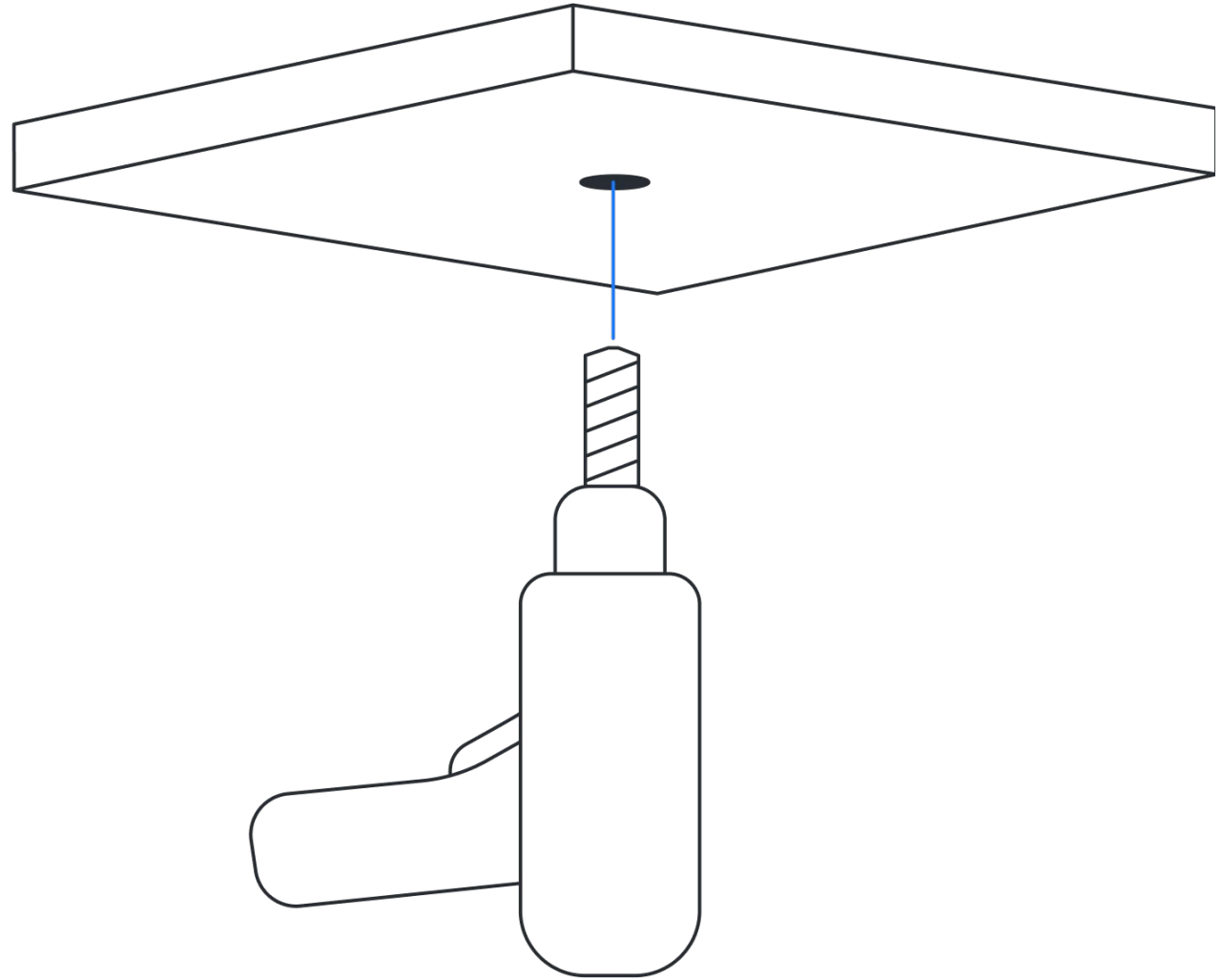
Toggle anchor

Designed for hollow ceiling types (drywall, plaster, wood paneling, etc.), the toggle anchor has spring loaded wings that fold flush, and then re-open once they have passed through the ceiling material.



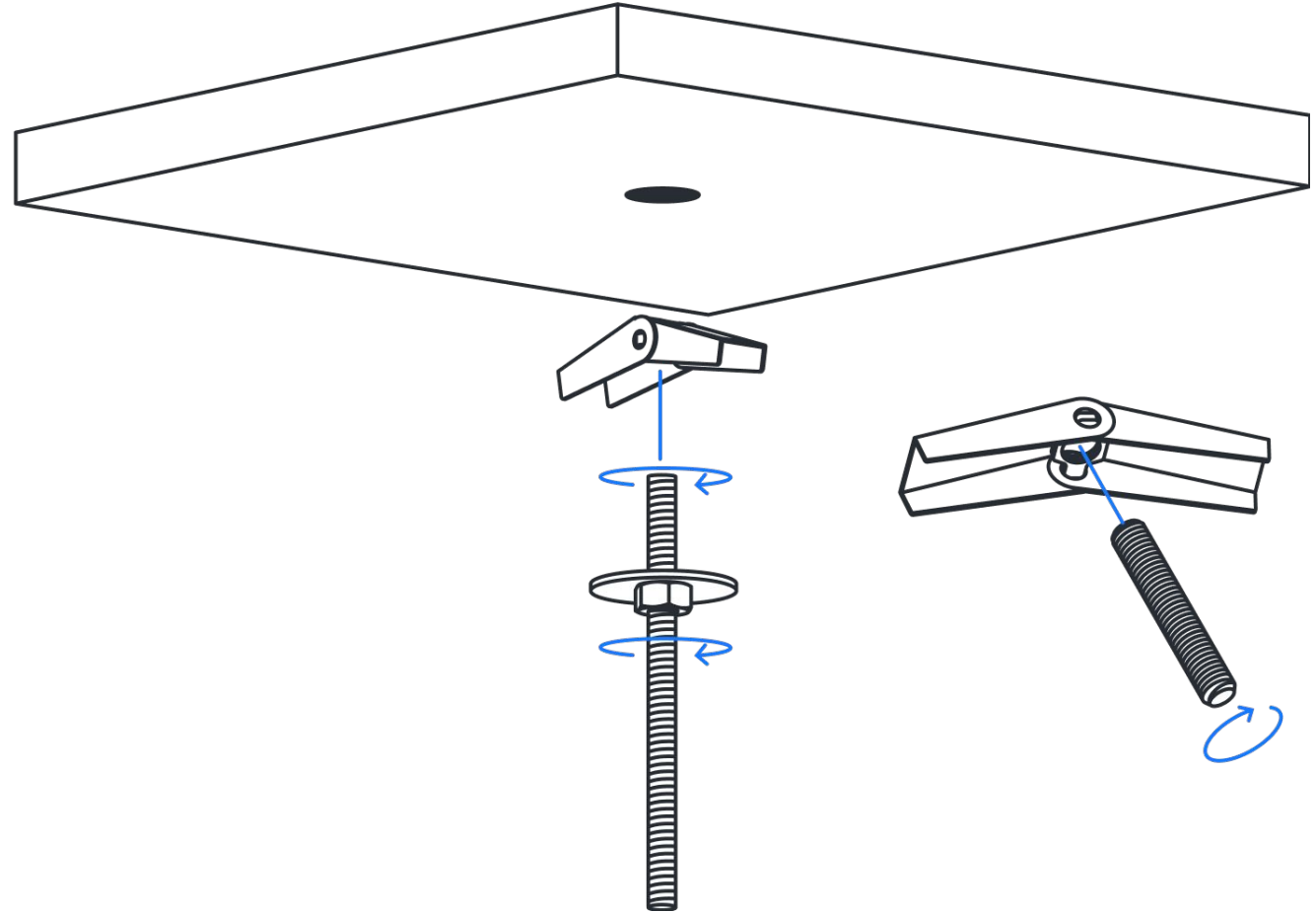
Step 1: Drill hole in ceiling

Drill a hole all the way through the hollow ceiling material using the 5/8in drill bit.



Step 2: Assemble

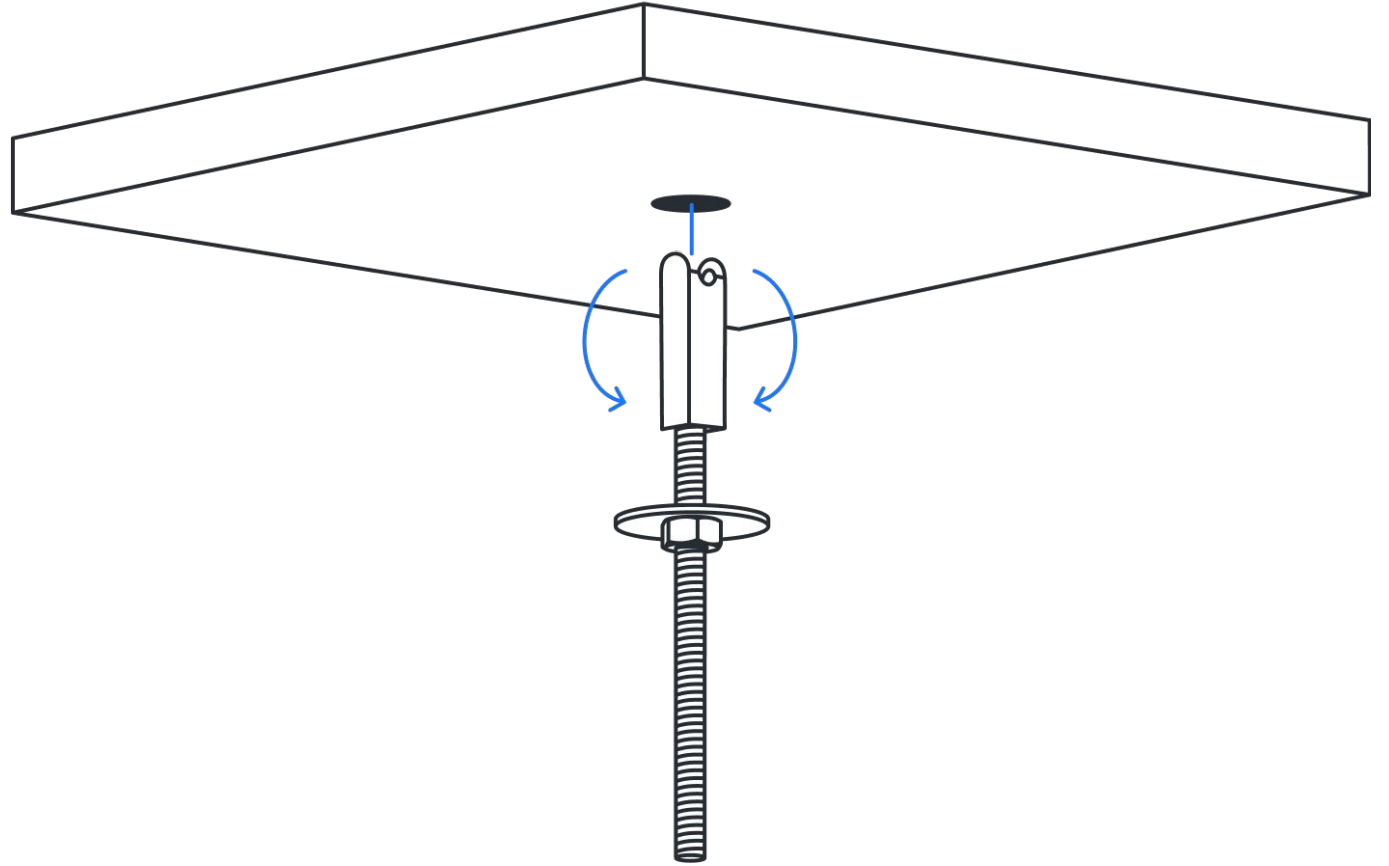
Screw the nut and washer onto the top end of the threaded rod. Screw the toggle anchor onto the top end of the threaded rod. Make sure that the threaded rod is fully threaded into the toggle Anchor.



Step 3: Insert toggle anchor into ceiling

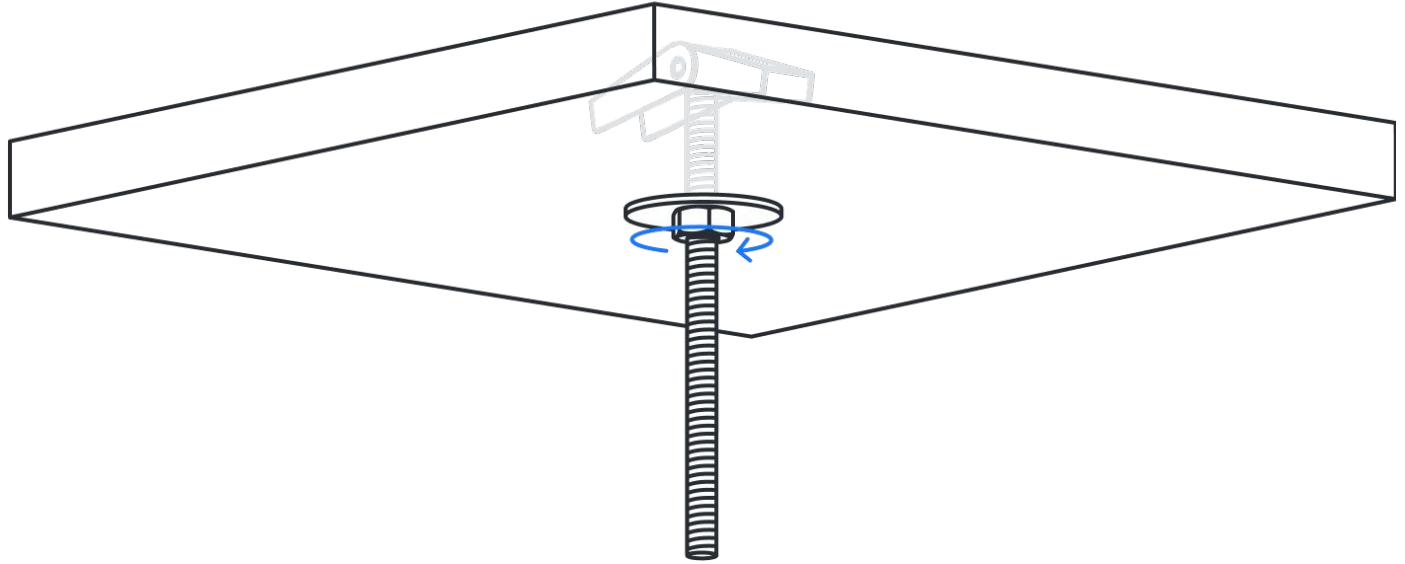
Fold the toggle anchor flaps down, then insert the toggle anchor and end of the threaded rod through the drilled hole. Once through the ceiling, the toggle anchor flaps will spring open again.

To adjust the install height, twist the threaded rod clockwise to raise or counter clockwise to lower. Make sure the threaded rod has enough thread engagement with the toggle anchor.



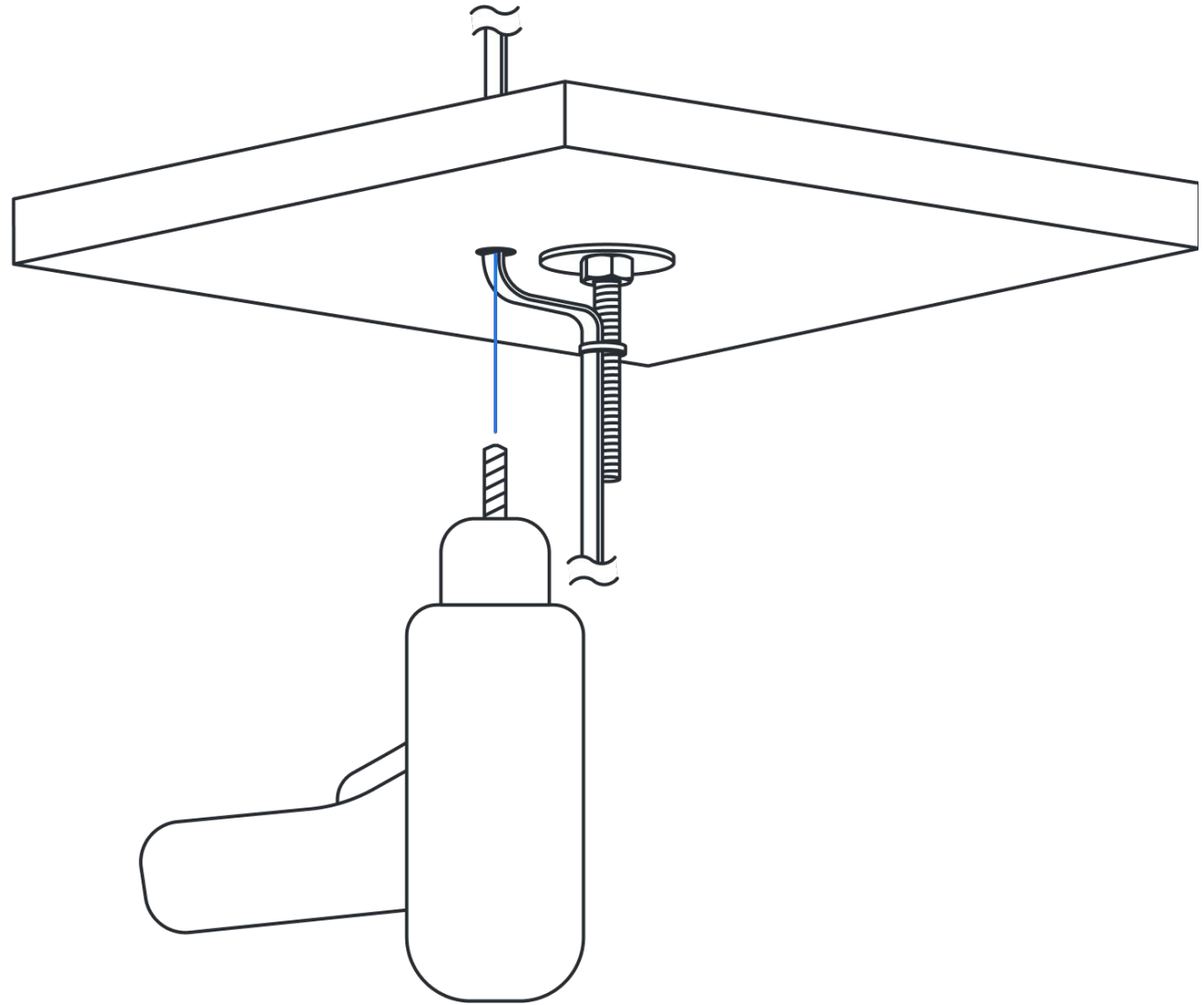
Step 4: Tighten the anchor assembly

Once desired install height is determined, twist the nut and washer until they are tight against the ceiling. Tighten the nut with a wrench or pliers so that the washer provides strong clamping pressure against the ceiling.



Step 5: Drill cabling hole

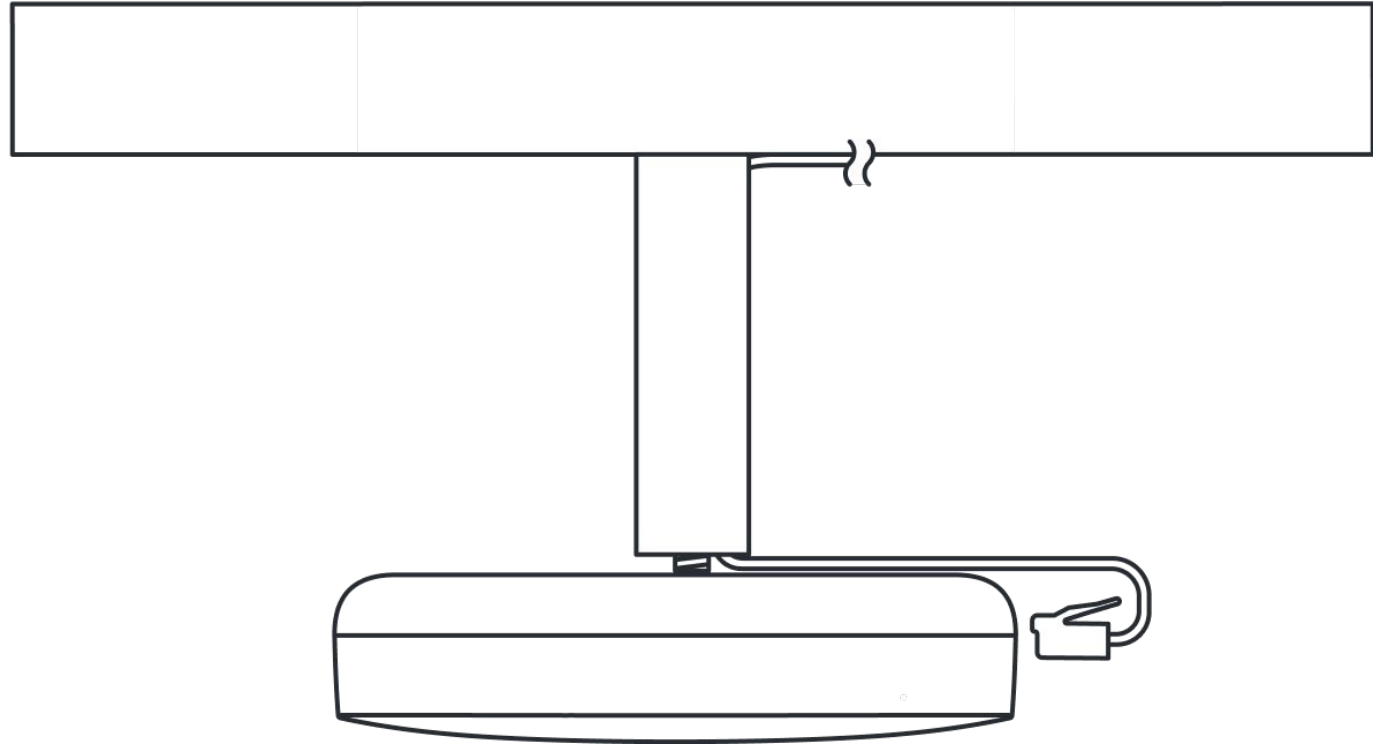
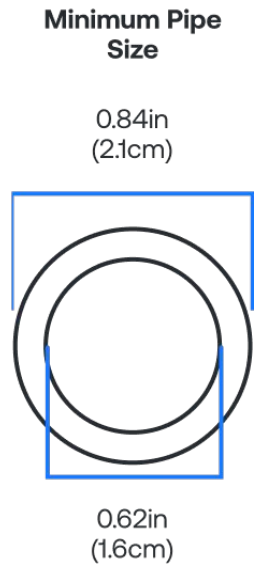
Drill a hole using a 5/8in (16mm) drill bit to route cable through.



Step 6 (optional): Cable management

A 1/2in PVC pipe can be used to run the cable and rod through. Before assembly, cut the PVC pipe to the proper length and drill or cut a notch or hole at the top of the pipe to allow for cable relief. For optimal cable aesthetics, we recommend using a flat white Cat 5e or greater ethernet cable as shown. Make sure to use a pipe size with a minimum inner diameter of 0.62in (1.6cm).

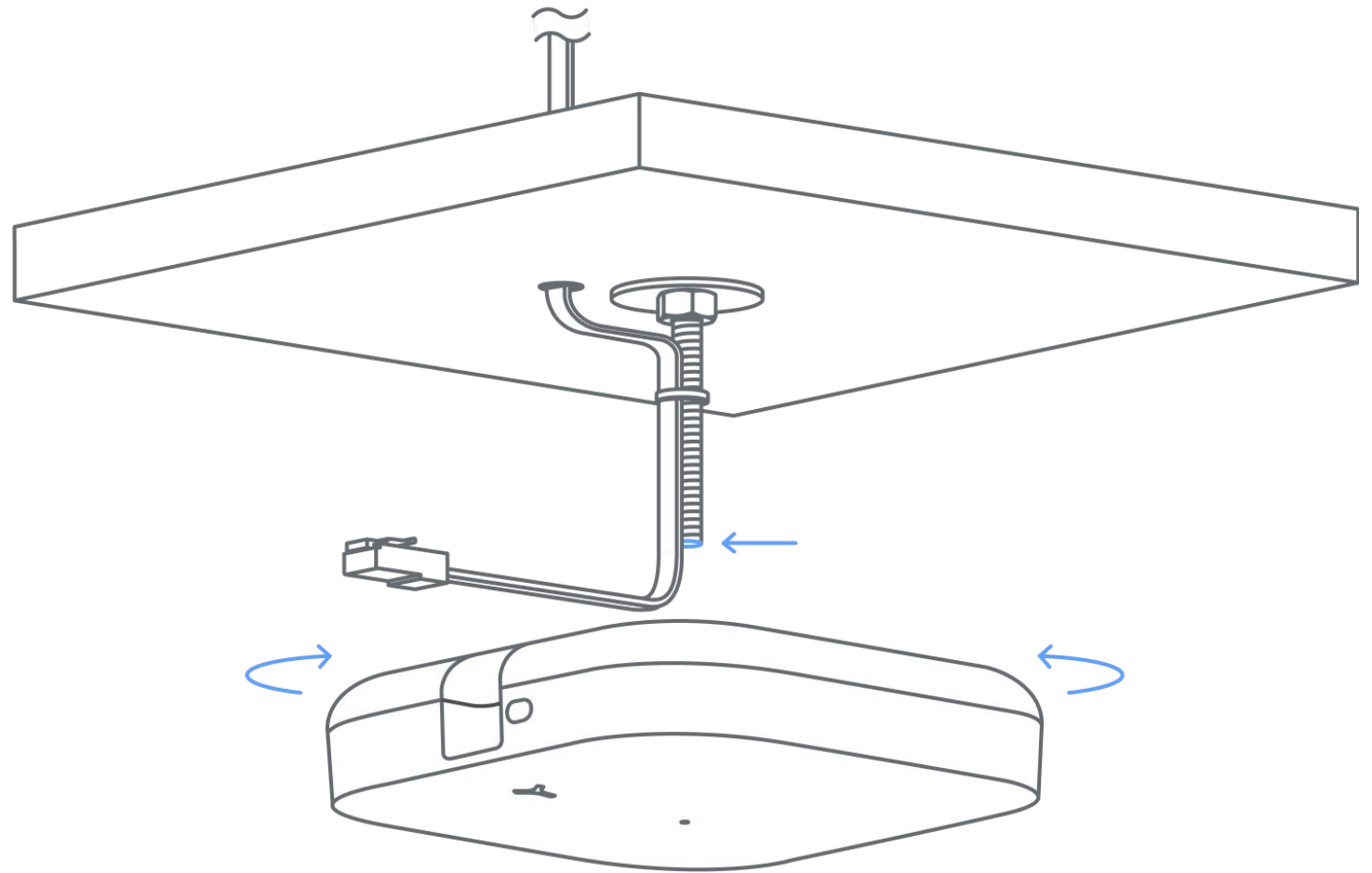
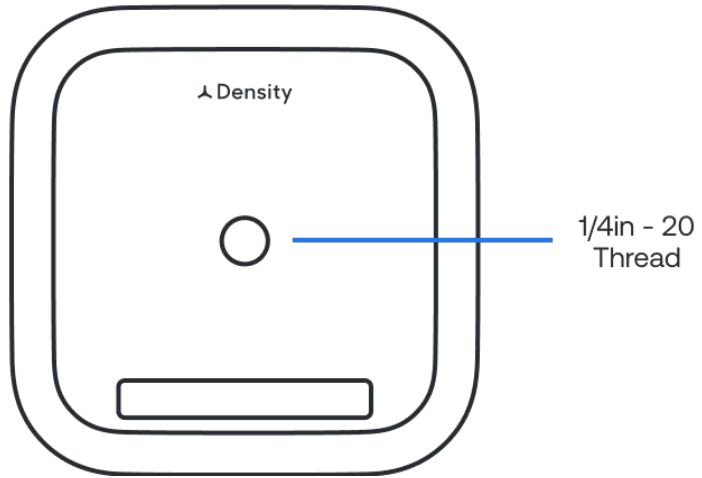
Be sure to follow recommended minimum bend radius guidelines for any type of cable used.



Step 7: Attach Open Area Short Range sensor

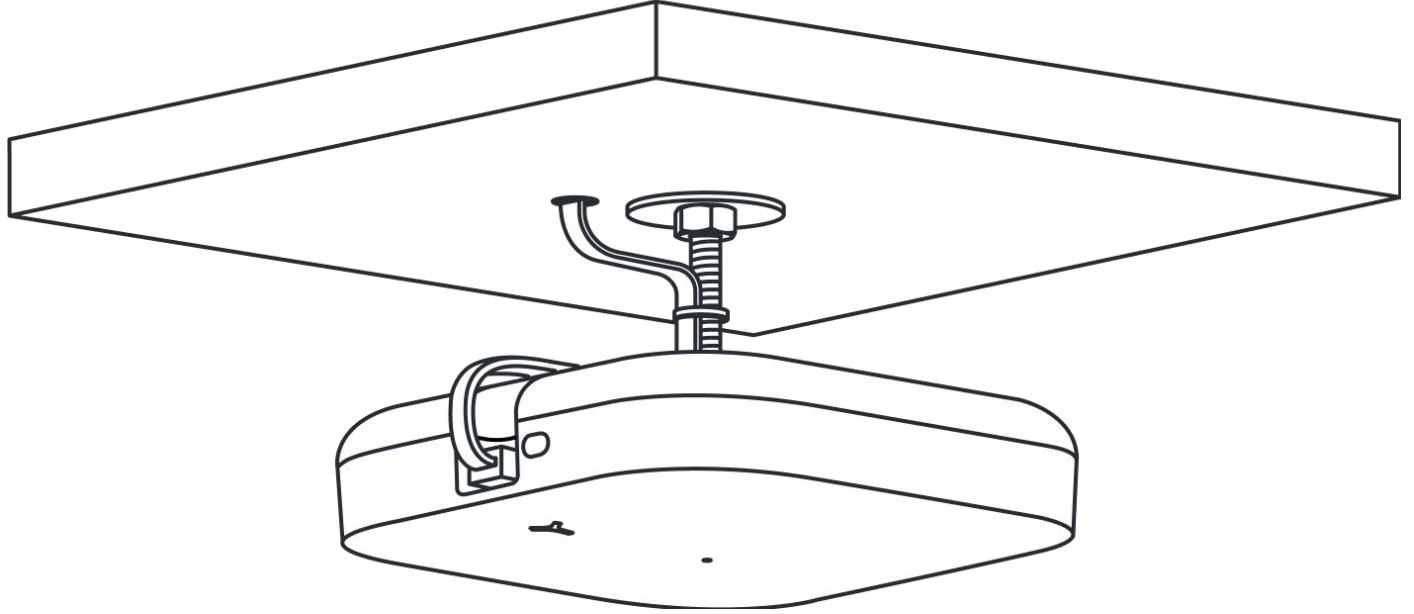
Attach the Open Area Short Range sensor to the threaded rod by inserting the threaded rod into the 1/4in-20 threads on the back of the Open Area Short Range sensor and twisting the sensor onto the rod until tight.

Screw the unit on all the way until it stops, then back it off to the prescribed location using the ethernet jack as the location guide.



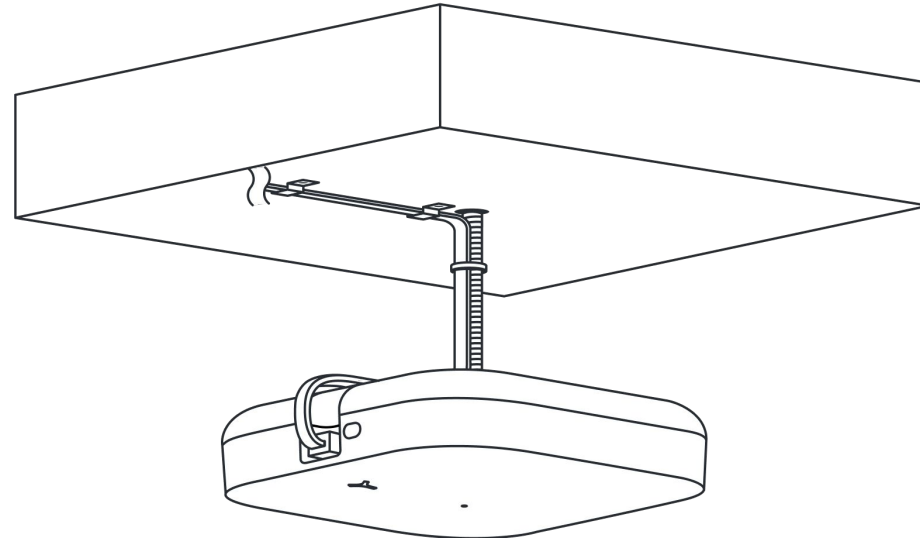
Step 8: Plug in cable

Plug the ethernet cable into the Open Area Short Range sensor. Ensure the Open Area unit is level and parallel to the floor.



Threaded Rod Anchor Mounting

For solid ceiling types
(wood, concrete, steel)



08

Toggle rod anchor mounting

Materials NOT included

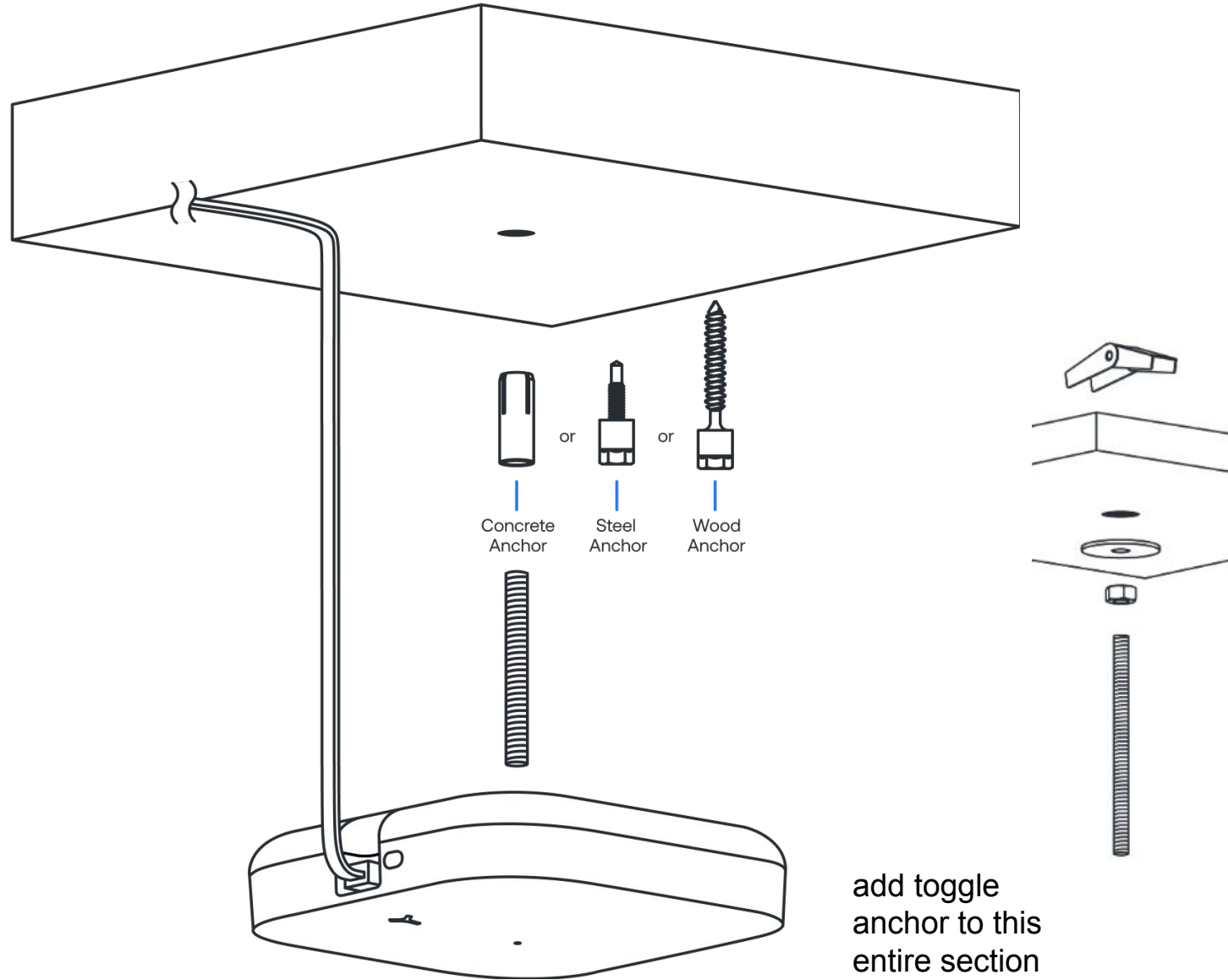
- + Drill
- + Hammer
- + 5/8in drive socket (wood only)
- + 1/2in drive socket (steel only)
- + ANSI 3/8in masonry bit (concrete only)
- + 1/4in-20 threaded rod
- + Cable management clips
- + PVC pipe (optional for cable management)
- + Ethernet cable (Cat 5e or later)
- + Threaded rod anchor for concrete
- + Threaded rod anchor for steel
- + Threaded rod anchor for wood
- + Concrete anchor installation

Power & connectivity

All sensors require power over ethernet and internet connectivity.

Threaded rod anchor assembly

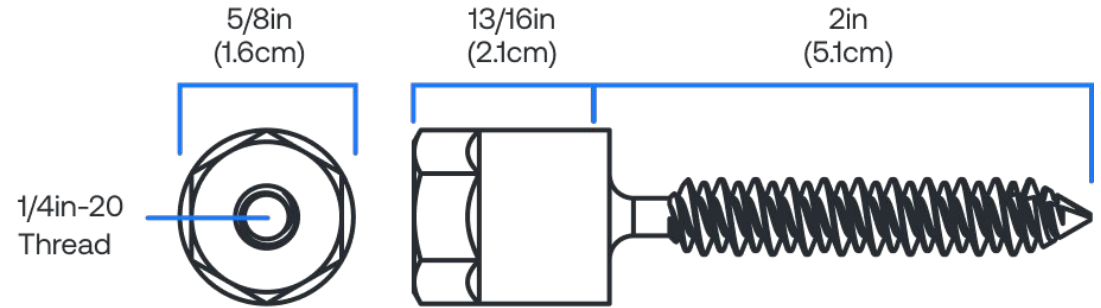
The Open Area Short Range sensor can be suspended from a 1/4in 20 threaded rod and mounted to solid wood, concrete or steel ceiling types using the threaded rod anchors (not included).



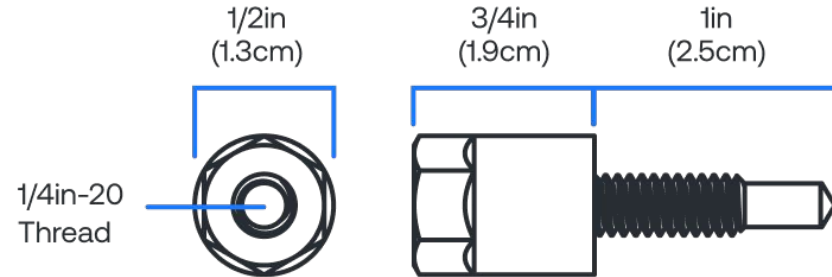
Thread rod anchor

Install directly into a mounting surface to suspend a threaded rod. Three different mounting anchors are specifically designed for wood, steel, and concrete surfaces. The wood and steel anchors require a drill along with the appropriate sized drive socket (not included) for installation. The concrete anchor requires a hole drilled by an ANSI 3/8in masonry bit, as well as a hammer (not included) and an installation tool (not included).

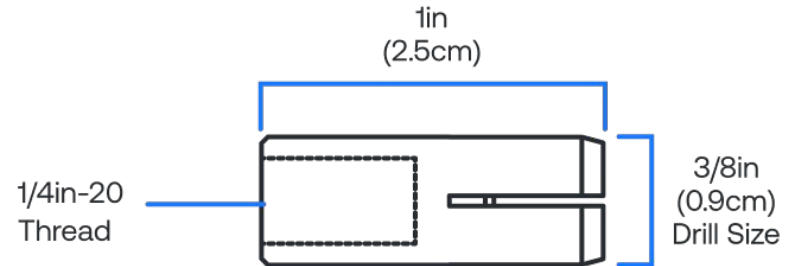
Wood Anchor



Steel Anchor



Concrete Anchor



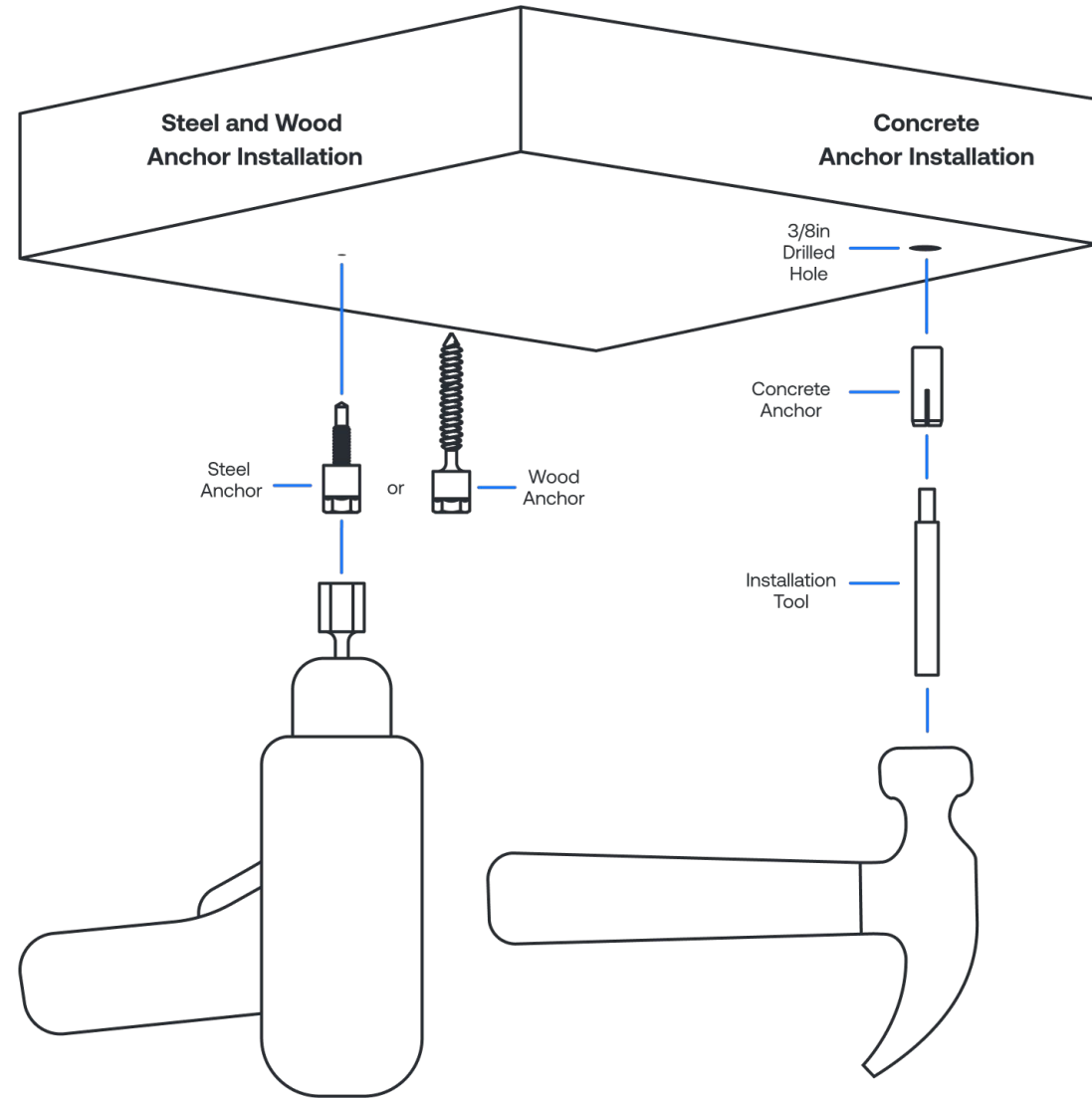
Step 1: Install threaded rod anchor

Wood and Steel installation:

Use a drill and a drive socket (5/8in for wood, 1/2in for steel) to drive the anchor into the ceiling until the bottom side of the anchor head is flush with the ceiling.

Concrete installation:

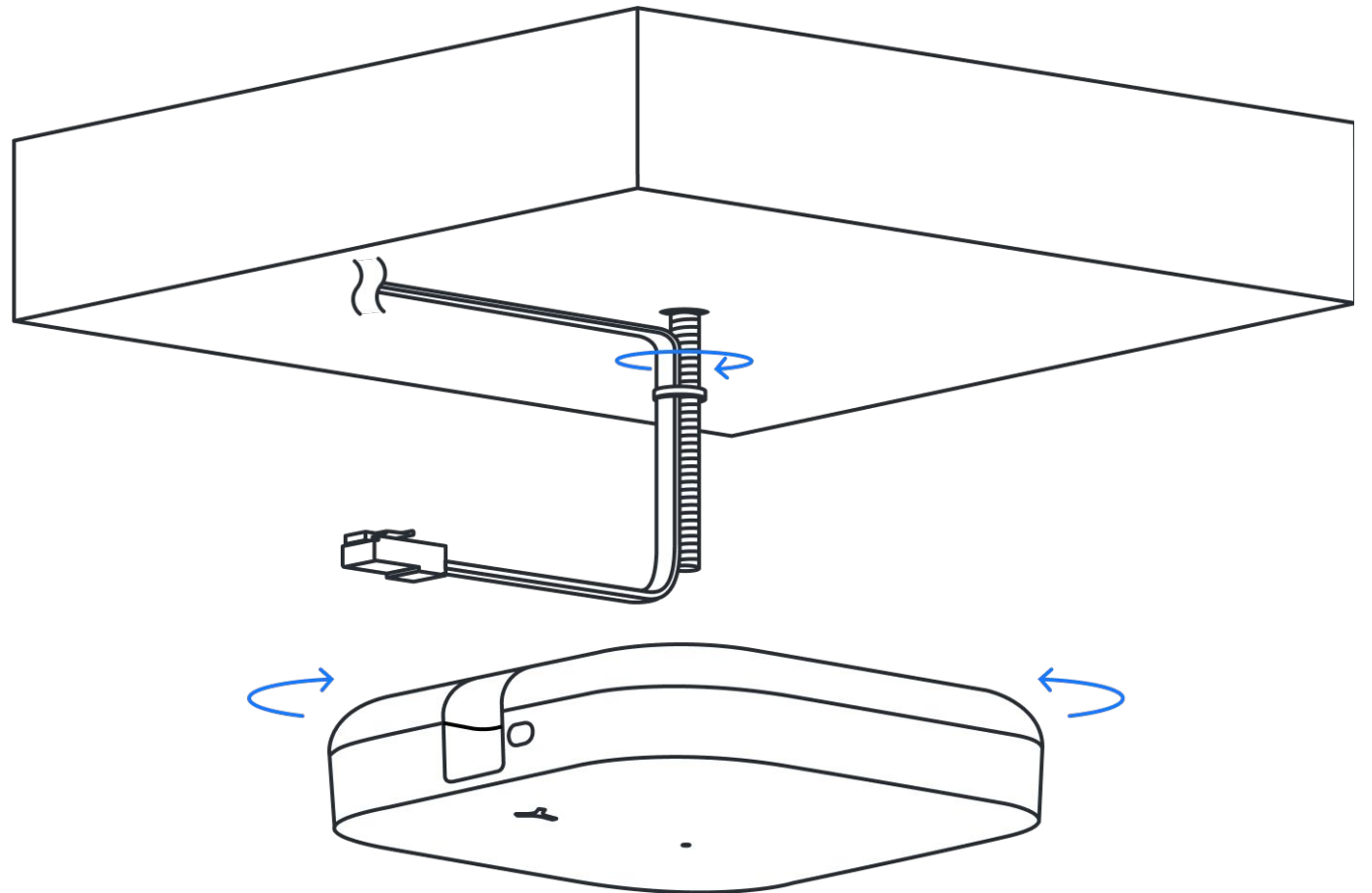
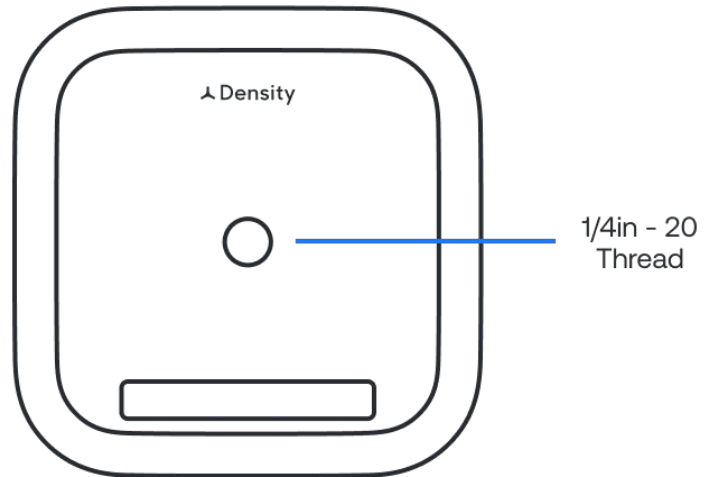
Anchors for concrete require a hole drilled by an ANSI 3/8in masonry drill bit. To install, place the anchor into the drilled hole, insert the required installation tool into the anchor, and drive with a hammer until the thicker portion of the tool makes contact with the anchor. When installed, anchors sit flush with the surface.



Step 2: Attach Open Area Short Range sensor

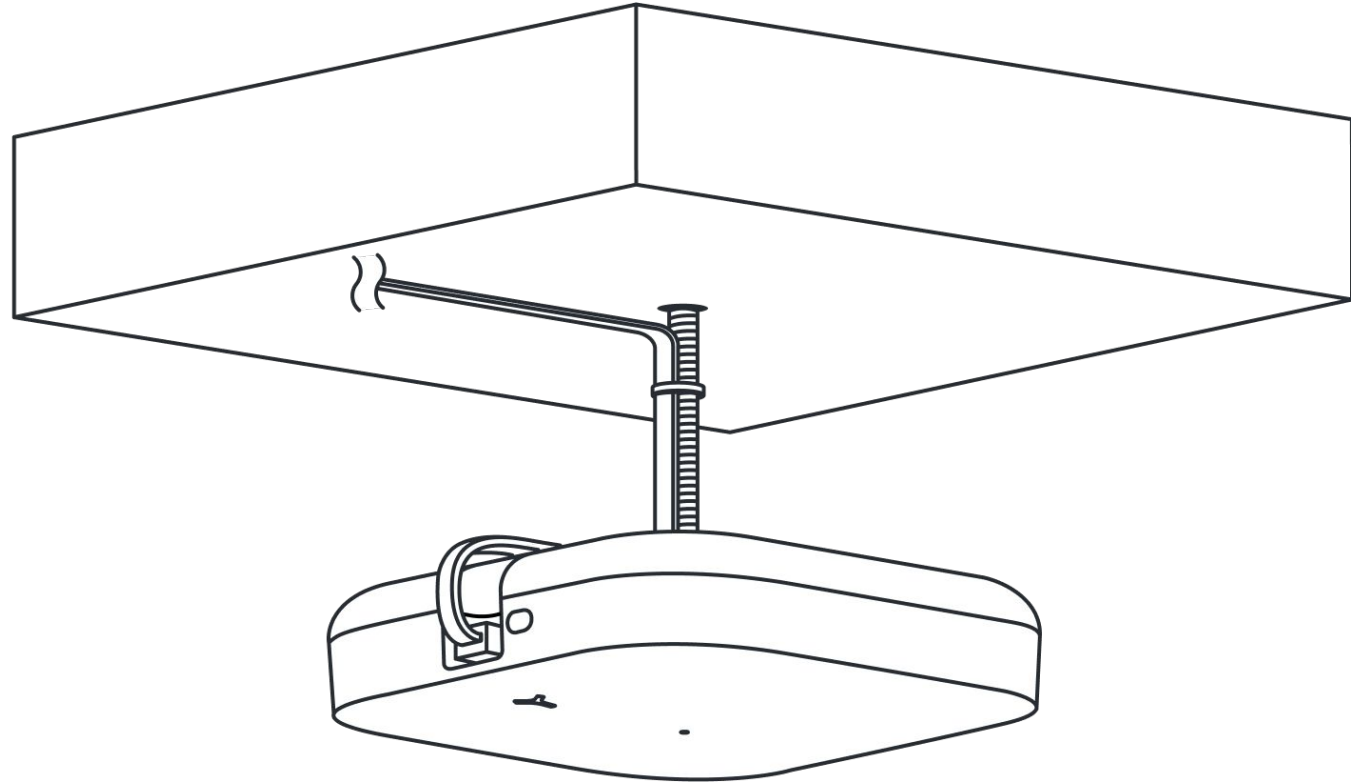
Attach the Open Area Short Range sensor to the threaded rod by inserting the threaded rod into the 1/4in-20 threads on the back of the Open Area Short Range sensor and twisting the sensor onto the rod until tight.

Screw the unit on all the way until it stops, then back it off to the prescribed location using the ethernet jack as the location guide.



Step 3: Plug in cable

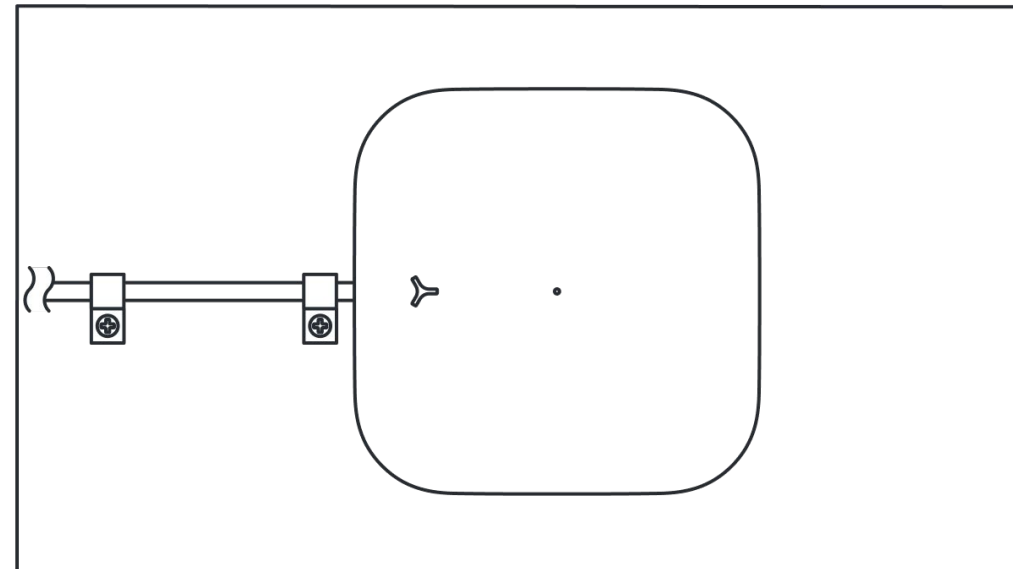
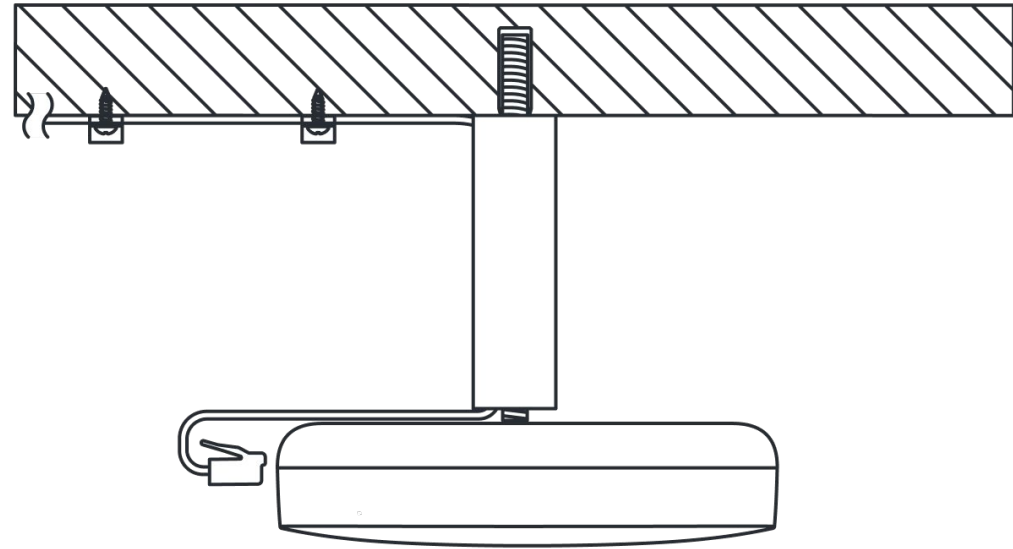
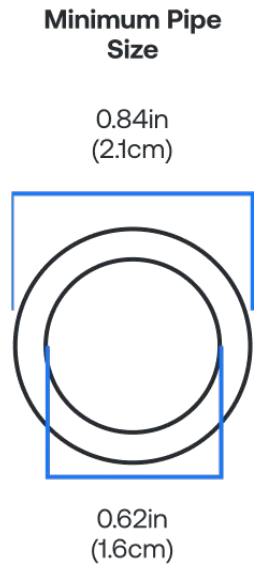
Plug the ethernet cable into the Open Area Short Range sensor. Ensure the Open Area unit is level and parallel to the floor.



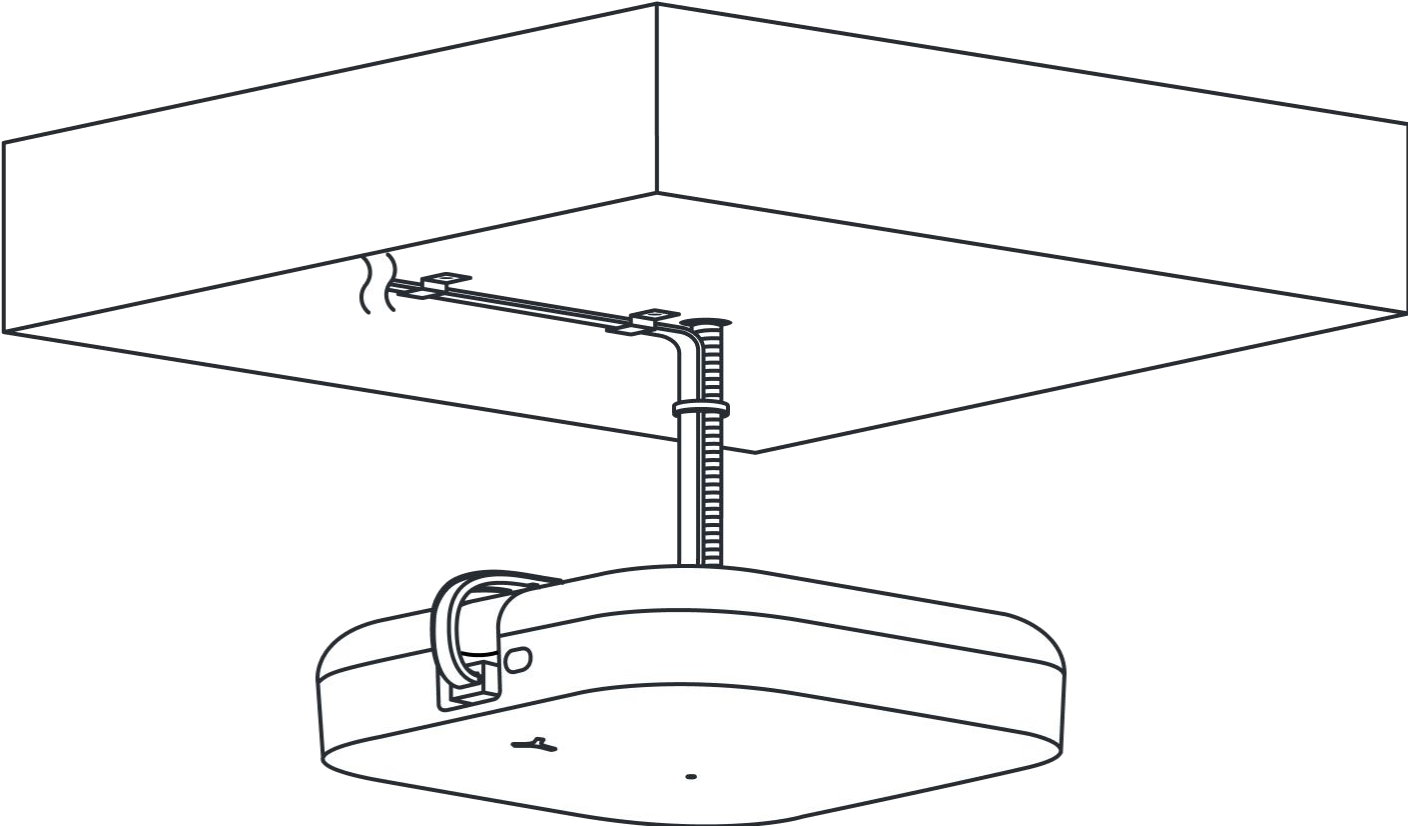
Step 4 (optional): Cable management

A 1/2in PVC pipe can be used to run the cable and rod through. Before assembly, cut the PVC pipe to the proper length and drill or cut a notch or hole at the top of the pipe to allow for cable relief. For optimal cable aesthetics, we recommend using a flat white Cat 5e or greater ethernet cable as shown. Make sure to use a pipe size with a minimum inner diameter of 0.62in (1.6cm). The cable can be attached to the ceiling using a variety of screw or nail in cable management clips.

Be sure to follow recommended minimum bend radius guidelines for any type of cable used.



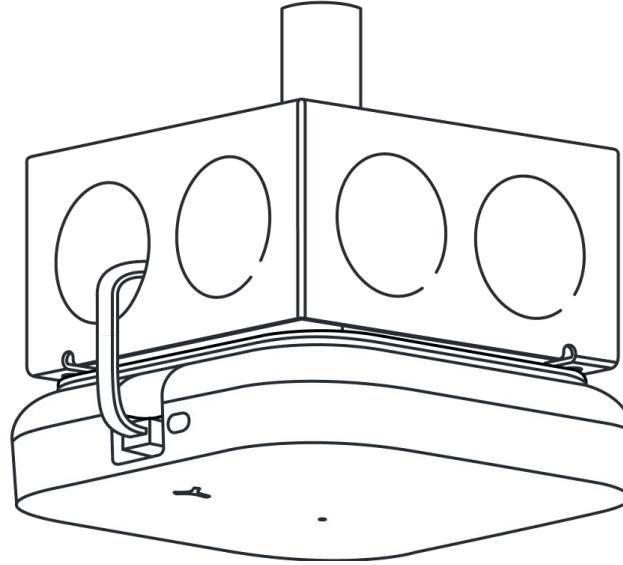
Installation complete



Junction Box Mounting

For mounting to square, round, or octagonal junction boxes

Please ensure that the junction box is not sagging, loose, or crooked.



09

Junction box mounting

- + Mount plate

Materials NOT included

- + Drill or screwdriver
- + Junction box
- + Ethernet cable (Cat 5e or later)

Power & connectivity

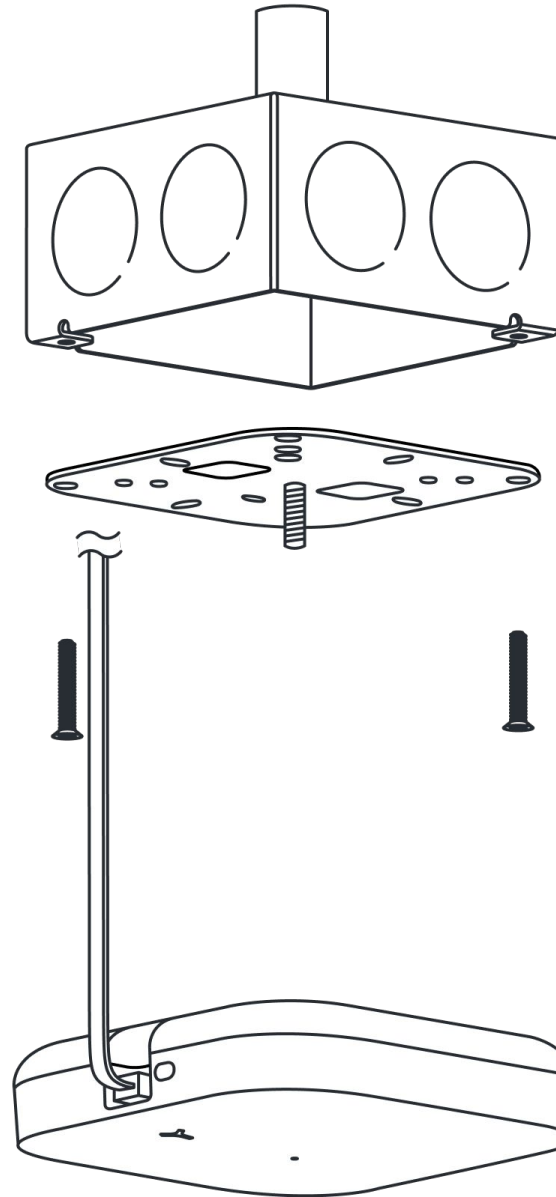
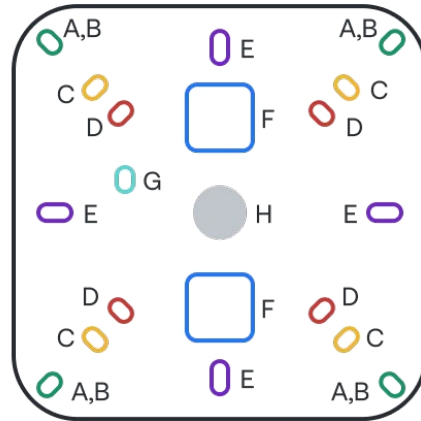
All sensors require power over ethernet and internet connectivity.

Junction box mounting

With the junction box hung and positioned, affix the mount plate to the junction box using the appropriate hole pattern and screws.

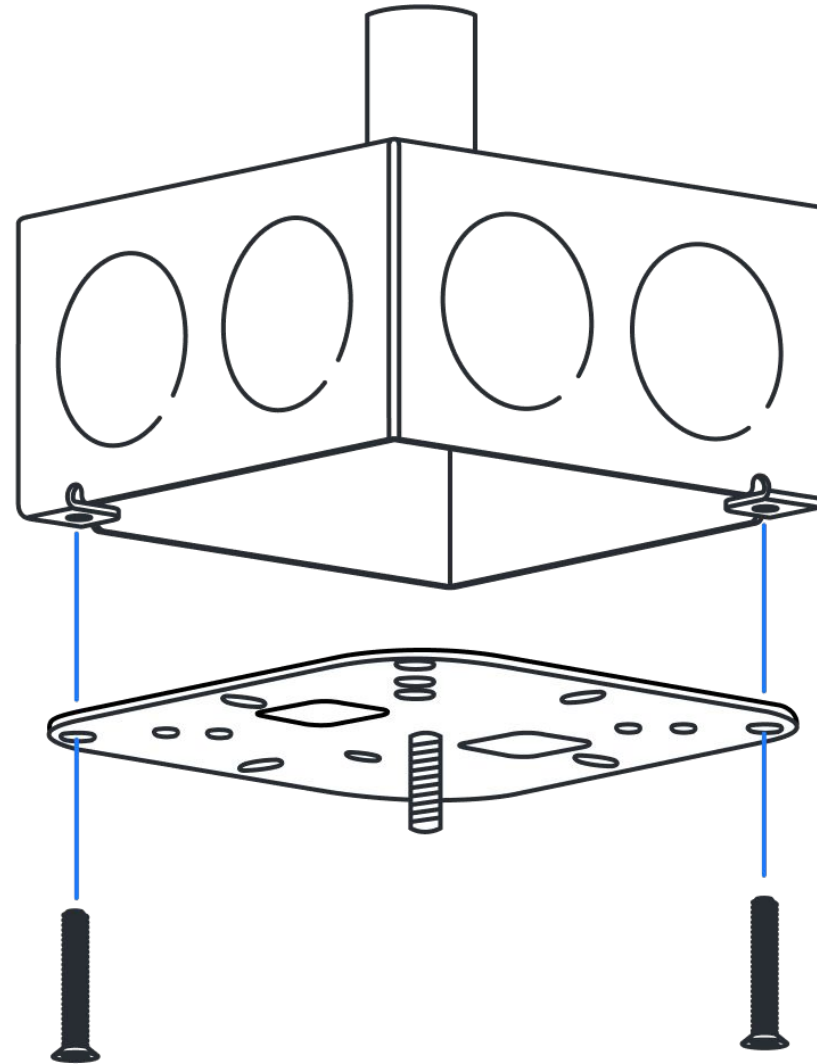
Mounting Plate

- A. Ceiling or Drop Ceiling Tile
- B. 4" Square Junction Box (US)
- C. 4" Round Junction Box (US)
- D. 3.5" Round Junction Box (US)
- E. Single-Gang Outlet Box (US)
- F. Cable Pass Through
- G. Auxiliary Hole
- H. 1/4"-20 Threaded Stud



Step 1: Attach mount plate

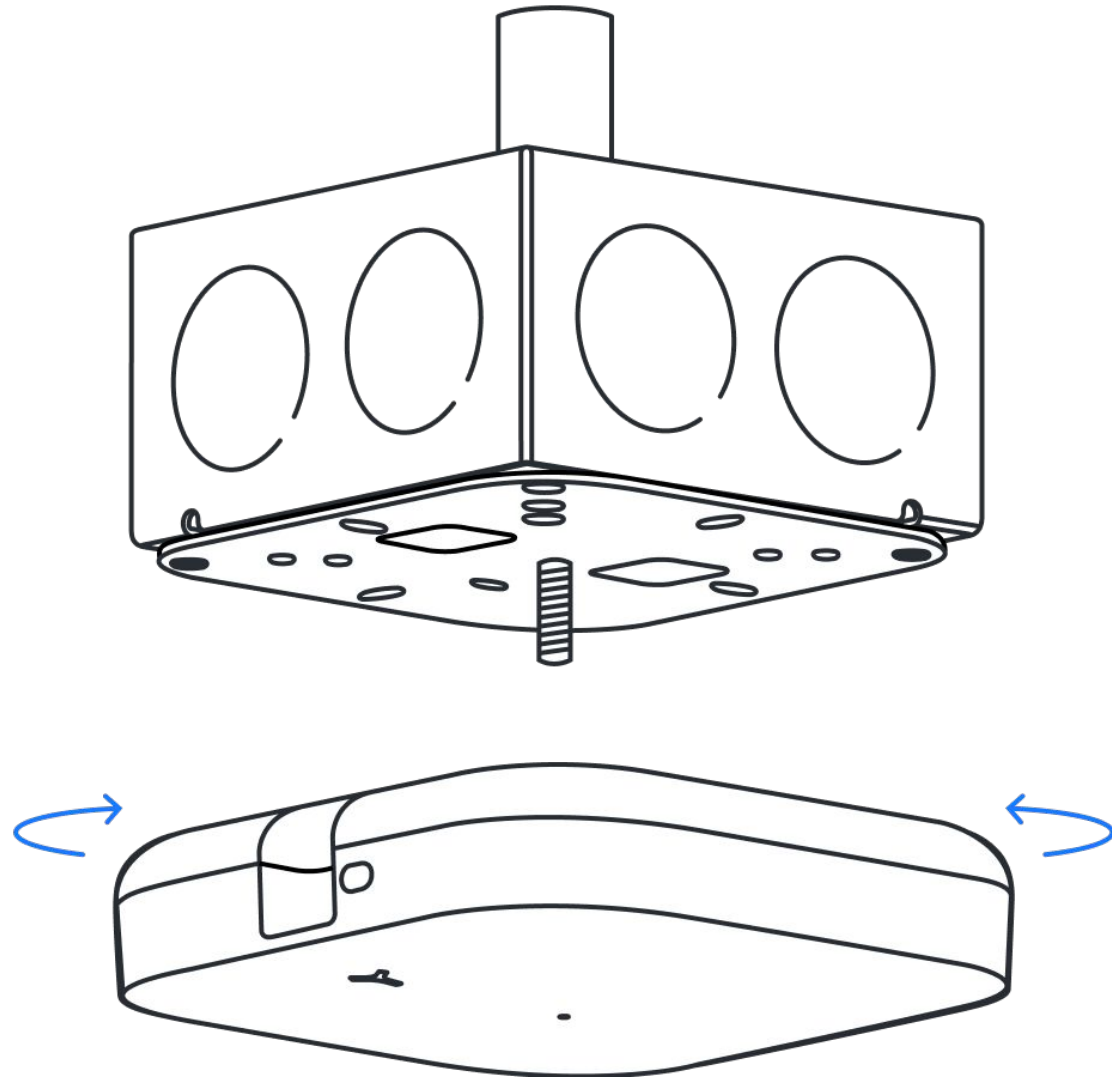
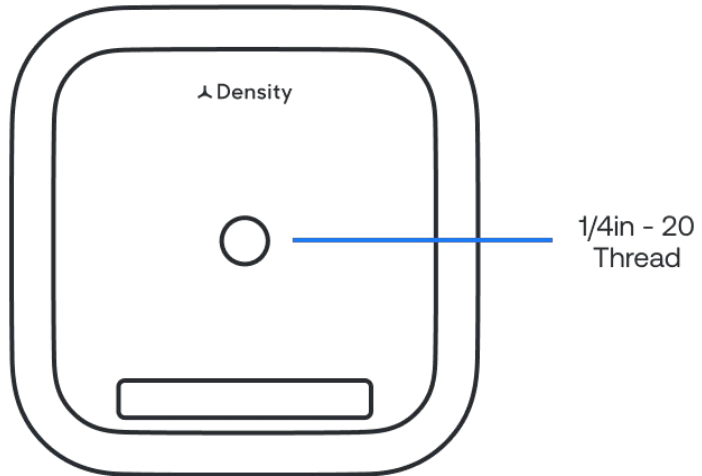
Attach the mount plate to the junction box using the necessary screws. Make sure you have the proper screw for the desired junction box.



Step 2: Attach Open Area Short Range sensor

Attach the Open Area Short Range sensor to the threaded rod by inserting the threaded rod into the 1/4in-20 threads on the back of the Open Area Short Range sensor and twisting the sensor onto the rod until tight.

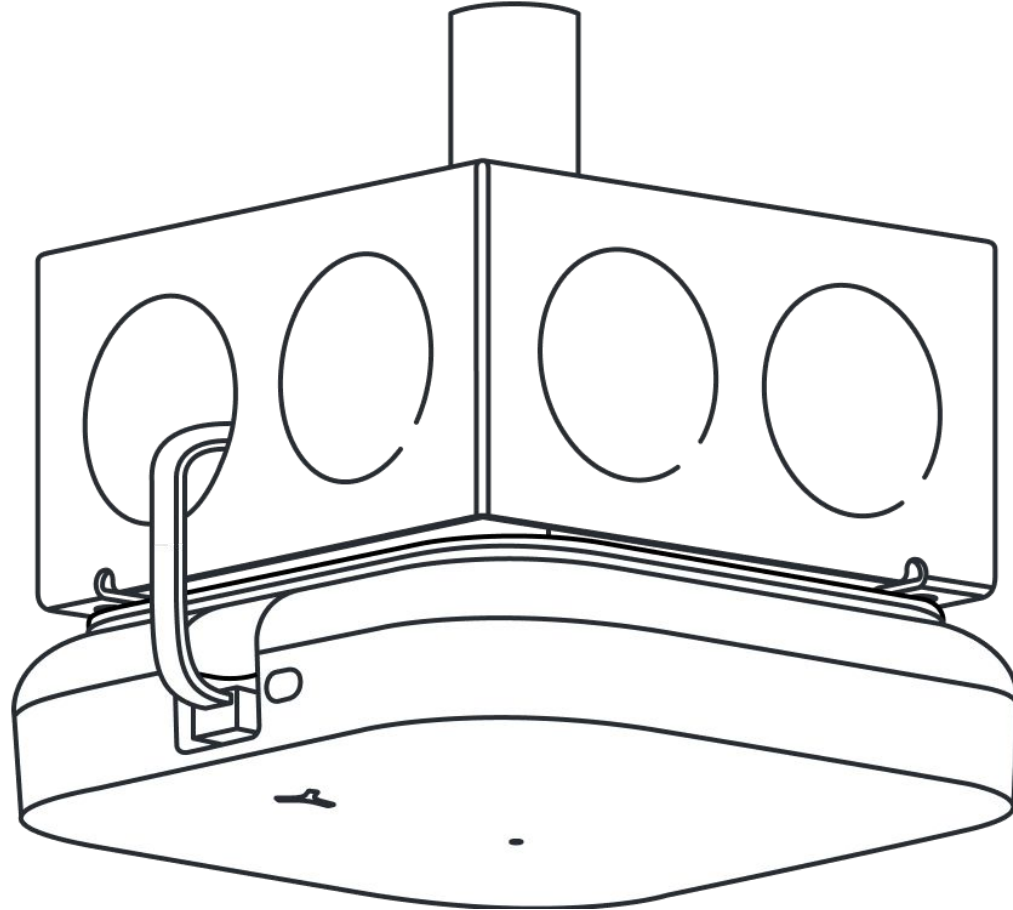
Screw the unit on all the way until it stops, then back it off to the prescribed location using the ethernet jack as the location guide.



Step 3: Route cabling

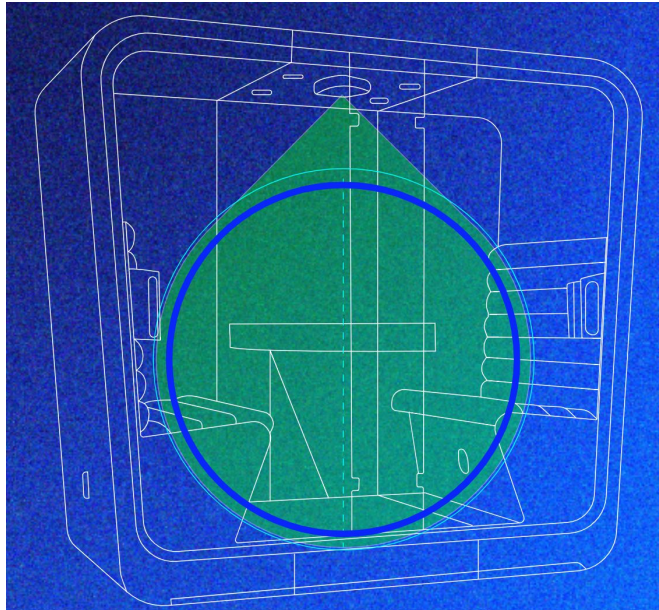
The ethernet cable should be routed through the knockout holes in the junction box.

Be sure to use appropriate connectors or bushings to provide physical protection to the cable. Follow minimum bend radius requirements for the type of cable used.



Phone Booth Mounting

10



Mount Option

- + Mounting approach will vary by manufacturer and model of phone booth
- + Before puncturing any holes in phone booth, you must get written approval from either the Density or customer project manager
- + Ensure mounting approach properly supports the weight of the device

Materials NOT included

- + Required materials will vary depending on installation method

Power & connectivity

All sensors require power over ethernet and internet connectivity.

Mount Option

- + Mounting approach will vary by manufacturer and model of phone booth
- + Before puncturing any holes in phone booth, you must get written approval from either the Density or customer project manager
- + Ensure mounting approach properly supports the weight of the device

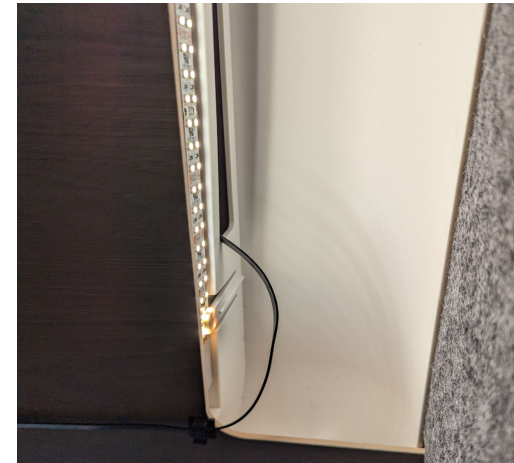
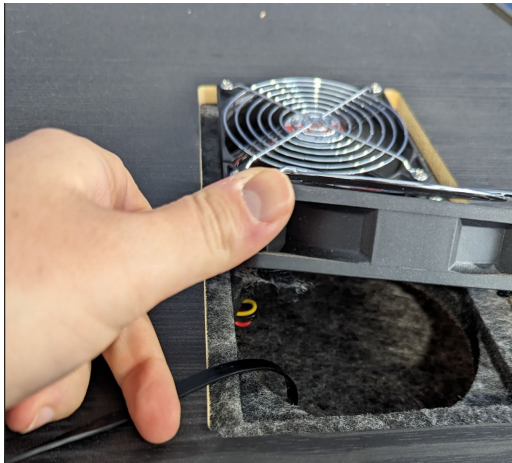
1

Determine how to get ethernet cable to the sensor, common approaches are:

- Use flat network cable through door



- Use flat network cable through vent fan opening



Mount Option

- + Mounting approach will vary by manufacturer and model of phone booth
- + Before puncturing any holes in phone booth, you must get written approval from either the Density or customer project manager
- + Ensure mounting approach properly supports the weight of the device

2

Determine how to secure sensor to ceiling:

- Mounting plate



- Double sided adhesive rated at > 5lb (device weight is 13.1 oz)

